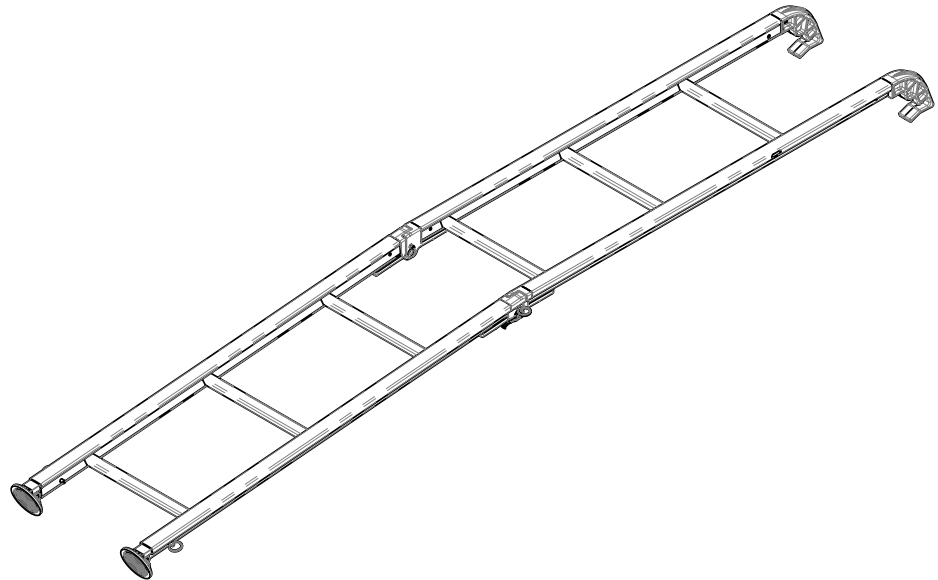
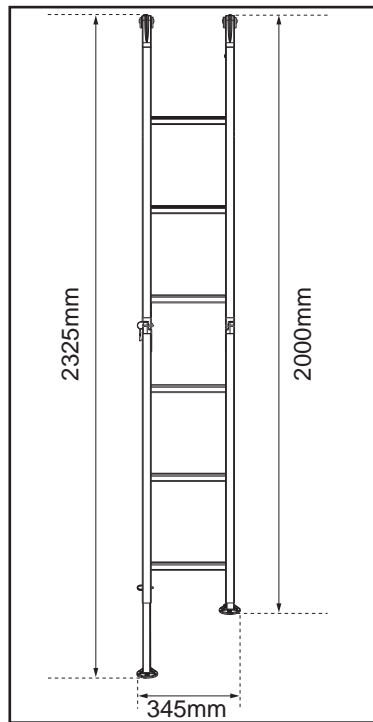




# RHINO-RACK

## Aluminium Folding Ladder RAFL

**Important:** Please read these instructions carefully prior to installation.  
Please refer to your fitting instruction to ensure that the alloy tray is installed correctly.  
Check the contents of this kit before commencing fitment and report any discrepancies.



### Important Information

**Maximum carrying capacity: 125kg (275lbs) load limit.**

**Product mass: 5.5kg (12lbs).**

**Recommendations:**

All bolt connections must be checked after driving a short distance when you first install the Pioneer Ladder. Bolt connections should be checked again at regular intervals. You should also check the condition of the Ladder each time it is re-fitted. Always make sure to fasten your Ladder securely. **The ladder is used to allow ease of access to your roof, it is not recommended to climb onto the roof or Pioneer Platform/Tray.**

- 1- Ladder must be unfolded with Hinge Pins in place before climbing.
- 2- Ladder Hooks must be fully engaged in Tray Brackets before use.
- 3- Vehicle should be on a level surface if possible.
- 4- Ladder should be angled out from the vehicle to make climbing comfortable and safe.
- 5- The Extending Legs must be adjusted so both pads are firmly on solid ground and inline.
- 6- Test the Ladder for rigidity by standing on the first rung before climbing.
- 7- It is recommended to have a second person to hold the ladder when climbing if ground is not firm.
- 8- Always check the Hinge Locking Pins are fully inserted into the Hinges and the Ladder pads are in full contact with the ground.
- 9- If the vehicle is not on level ground choose a position on the vehicle with less angle.
- 10- Store the Ladder where its easy to access.

**Note for Dealers and Fitters**

It is your responsibility to ensure this fitting instruction is given to the end user or client. Place these instructions in the vehicle's glove box after installation is complete.

Rhino-Rack  
3 Pike Street, Rydalmere,  
NSW 2116, Australia.  
(Ph) (02) 9638 4744  
(Fax) (02) 9638 4822

Document No: R1058  
Prepared By: Kayle Everett  
Authorised By: Chris Murty

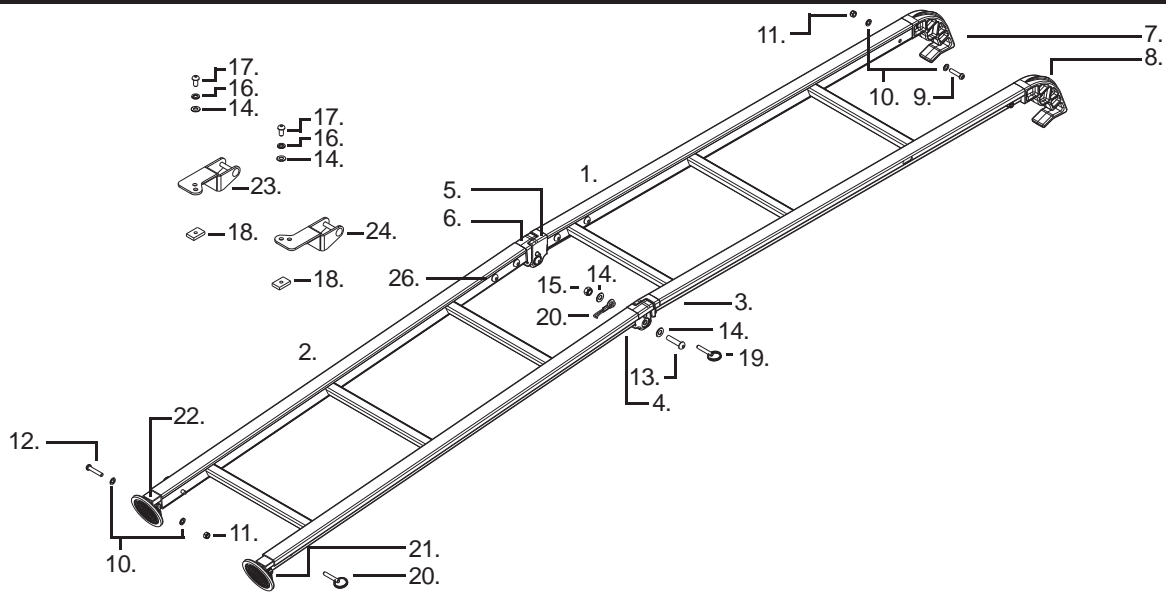
Fit Time: 15min  
Issue No: 02  
Issue Date: 08/06/2017

These instructions remain the property of Rhino-Rack Australia Pty. Ltd. and may not be used or changed for any other purpose than intended.



# Aluminium Folding Ladder RAFL

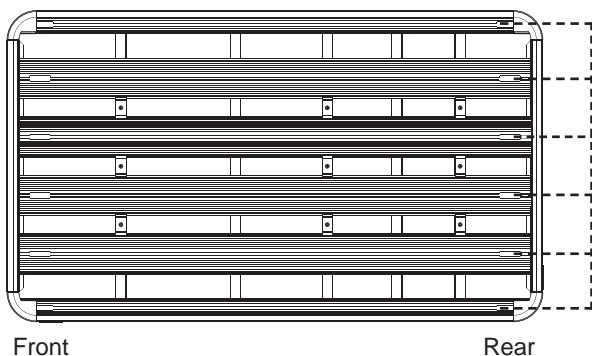
## Parts List



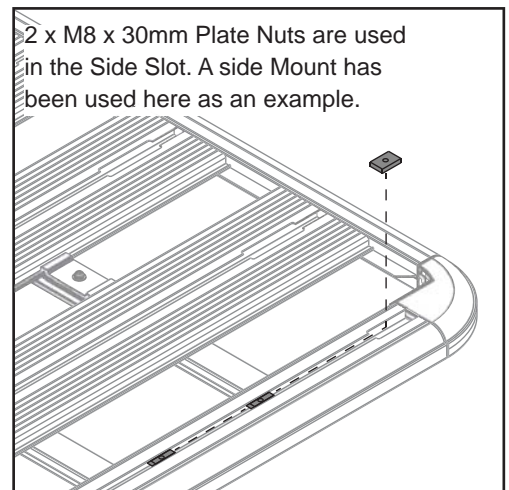
Item	Component Name	Qty	Part No.	Item	Component Name	Qty	Part No.
1	Upper Ladder Welded	1	CA1618	13	M8 x 30 Dome Head Screw	2	B239
2	Lower Ladder Welded	1	CA1619	14	M8 x 17 Flat Washer	6	W020
3	Upper Right Inner Hinge Plate	1	CA1698	15	M8 Nyloc Nut	2	N043
4	Outer Right Hinge Plate	1	CA1700	16	M8 Spring Washer	2	W019
5	Upper Left Inner Hinge Plate	1	CA1699	17	M8 x 16 Dome Head Screw	2	B072
6	Outer Left Hinge Plate	1	CA1701	18	M8 x 30 Plate Nut	2	N055
7	Hook Bracket Left	1	M849	19	Locking Pin	4	CA1616
8	Hook Bracket Right	1	M850	20	Wire Trace	2	CA1670
9	M6 x 30 Dome Head Screw	4	B063	21	Extending Leg Pad	2	M848
10	M6 x 12.5mm Flat Washer	18	W003	22	Extending Legs	2	A799
11	M6 Nyloc Nut	14	N013	23	Hook Bracket Right	1	CA1608
12	M6 x 32 Dome Head Screw	2	B064	24	Hook Bracket Left	1	CA1607
Tools required: 6mm Allen Key (provided)				25	5mm Allen Key	1	H009
				26	M8 x 16mm Dome Head Screw	8	B072
				27	Instructions	1	R1058

## Instructions

- 1** Select the position you wish to install the Aluminium Ladder (either side or rear). Slide an M8 x 30mm Plate Nut into the corresponding slots. **Note** for a Side Panel fitment, 2x Plate Nuts are required. For the purposes of instruction, the Side Panel of the Pioneer has been selected and referenced onward.



Select the appropriate Slots in the Platform to suit your needs. Be aware the Hook Brackets will need to be roughly 280mm apart (step 2).

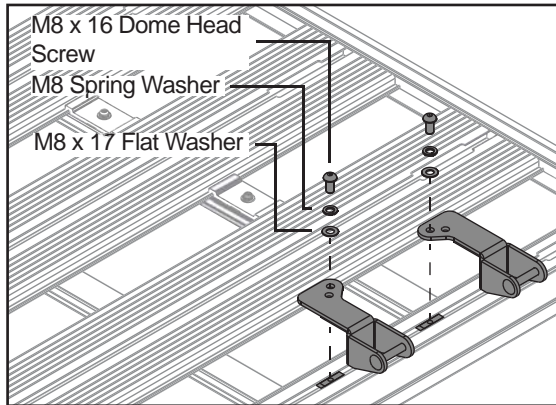


2 x M8 x 30mm Plate Nuts are used in the Side Slot. A side Mount has been used here as an example.

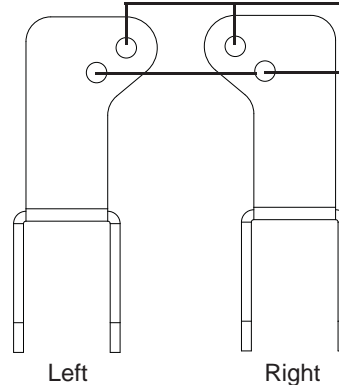


# Aluminium Folding Ladder RAFL

**2** Place the Left and Right Hook Brackets into place over the M8 Plate Nuts in the Platform. Fix in place with an M8 x 16mm Dome Head Screw, M8 Spring Washer and 17mm Flat Washer. Finger tighten at this stage.



Top View:

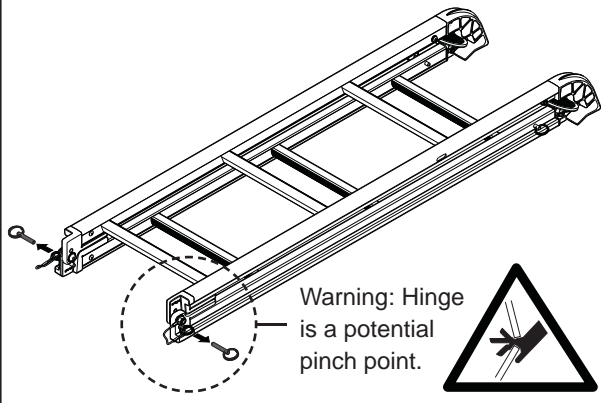


These holes are used for rear plank fitment.

Either M8 Hole can be used on the Bracket. Use the Rear Hole to gain more clearance against the vehicle.

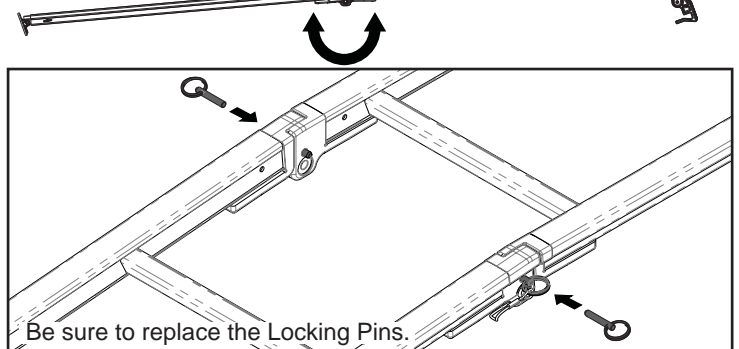
**3** 1: Remove the Locking Pins from the Hinges on either side of the Ladder. 2: Open the ladder up and replace the Pins.

1: Remove the Locking Pins.

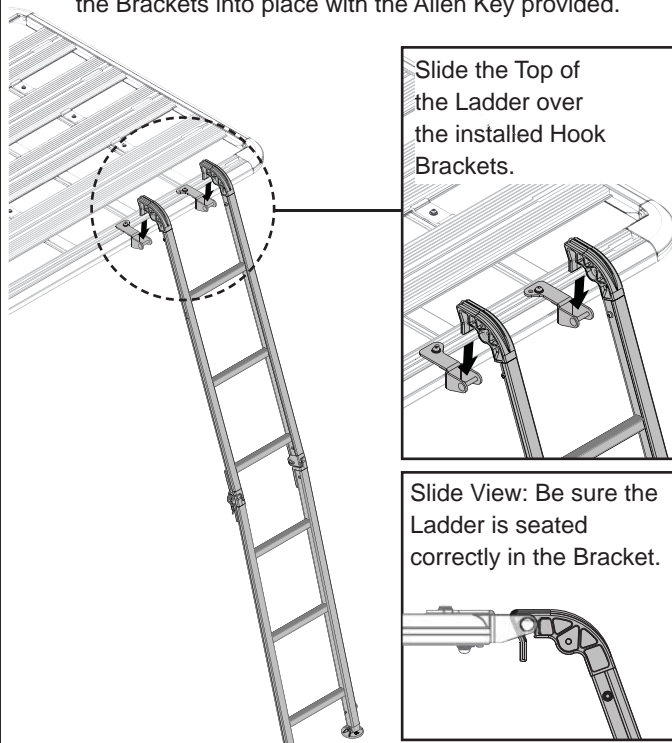


Open the Ladder. Be sure to replace the Locking Pins. Failure to do so could result in injury or damage to the vehicle.

2:



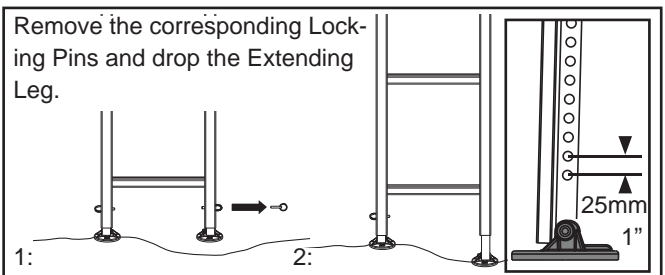
**4** Slide the Top of the Ladder over the installed Hook Brackets. Be sure the Ladder is seated correctly in the Brackets. If the Ladder position is satisfactory, tighten the Brackets into place with the Allen Key provided.



Slide the Top of the Ladder over the installed Hook Brackets.

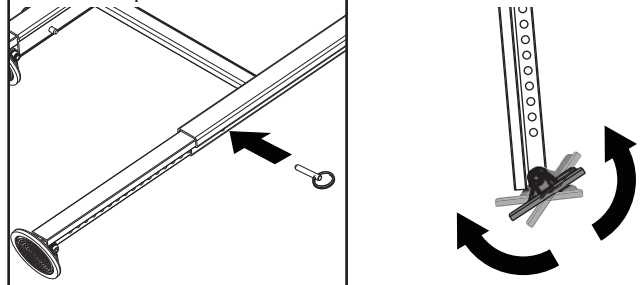
Slide View: Be sure the Ladder is seated correctly in the Bracket.

**5** If the Ladder cannot be used on level ground, the Extending legs can be lowered to suit. Remove the corresponding Locking Pins and drop the Extending Leg to meet the ground. Replace the Locking Pins. Make sure the Ladder is secure before use.



Align the Pin Holes on the Extending Leg and the Lower Ladder. Replace the Pin.

Note: The Leg Pads can rotate to accommodate inclination.

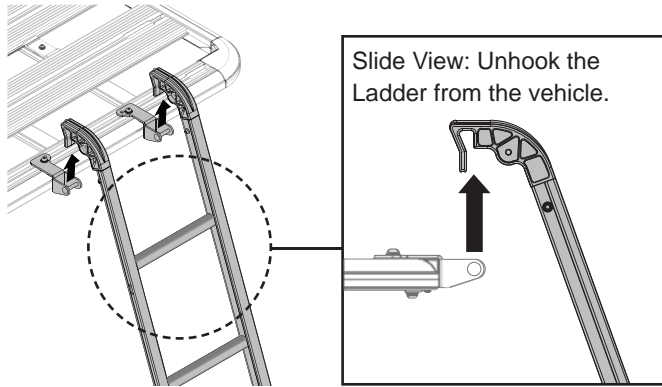




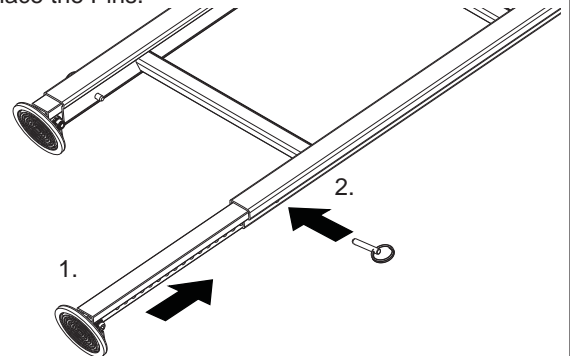
# Aluminium Folding Ladder RAFL

## Removal and Storage

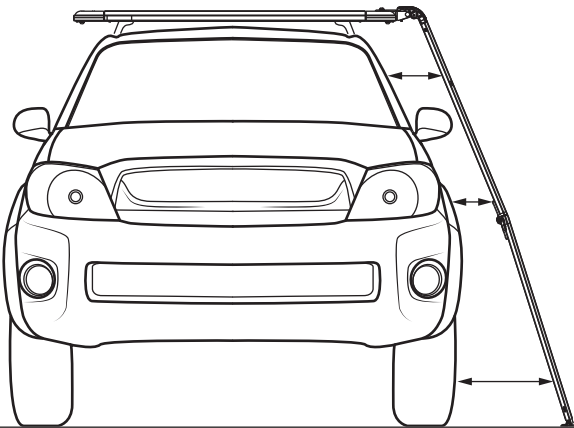
- 1** Unhook the Ladder from the Pioneer Brackets and remove from the vehicle.



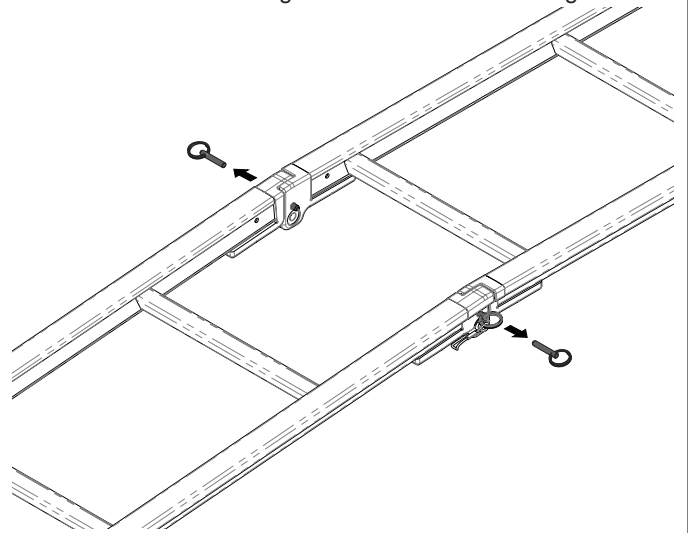
- 2** If the Extending Ladder Legs were lowered. Remove the Pins and slide the Legs back to their original position. Replace the Pins.



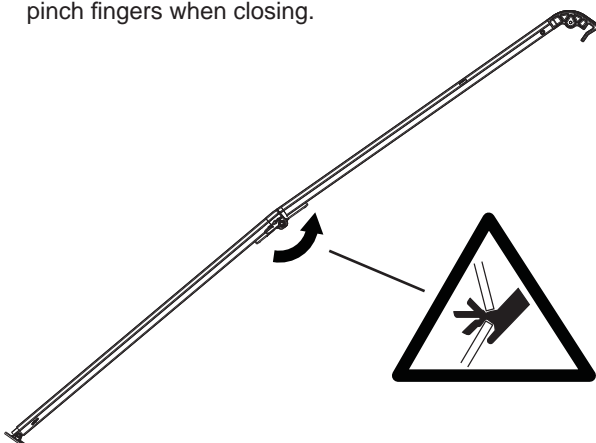
- 3** Ensure the Ladder is spaced appropriately away from the vehicle. Under weight the Ladder will flex inward slightly. Do not allow it or your feet to contact the vehicle.



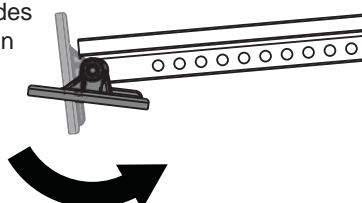
- 4** Remove the Locking Pins from the Ladder Hinges.



- 5** Fold the Ladder shut. Be careful as the Ladder could pinch fingers when closing.



Rotate the Ladder Pads as shown. This will ensure the two sides of the Ladder sit flush when closed.



- 6** Replace the Pins into the Hinges on the closed Ladder assembly. Store the Ladder in the back of the vehicle.

