



**RHINO-RACK**  
Aerodynamic & Heavy Duty Roof Rack Systems

**CONTROLLED**

## HOLDEN COMBO COMMERCIAL ROOF RACK SYSTEM RR86

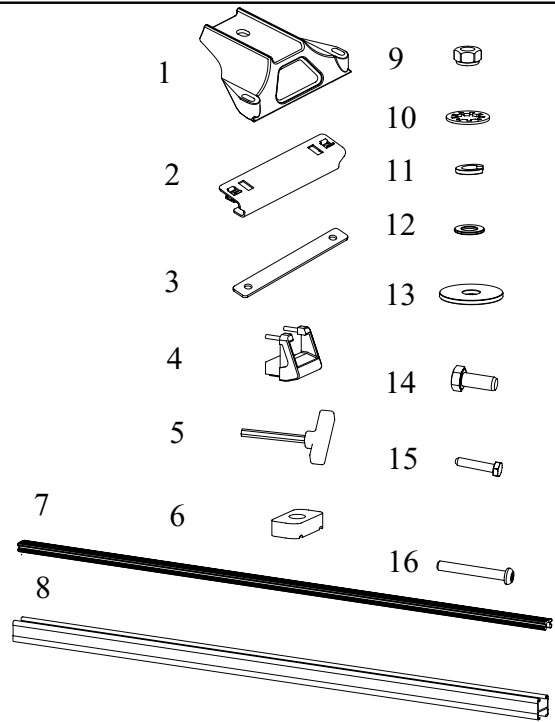
Place these instructions in the vehicle's glove box after installation is complete

Important: Please Read these instructions carefully prior to installation

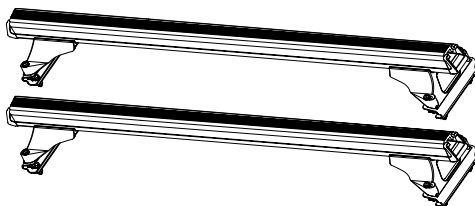
### Parts List

Important: Check the contents of kit before commencing fitment and report any discrepancies.

Item	Component Name	Qty.	Part No.
1	Trackmount Pigmy Leg.	2	MO57
2	Holden Combo U-Bracket.	2	C291
3	Holden Combo Backing Plate.	2	C292
4	Bar End Cap.		
5	5mm Security Allen Key.	1	H011/13
6	M10 Channel Nut.	2	N024
7	Commercial Rubber Strip.		
8	Commercial Bar.		
9	M6 Nyloc Nut.	4	N013
10	M10 Shakeproof Washer.	2	W021
11	M6 Spring Washer.	4	W004
12	M6 x 12.5mm Washer.	12	W003
13	M10 x 38 Washer.	2	W022
14	M10 x 25 Hex Set Bolt.	2	B071
15	M6 x 20 Hex Set Bolt.	4	B082
16	M6 x 40 Button Security Bolt.	4	B085
17	Instruction Manual	1	RR86

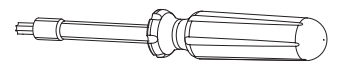


### Layout



### Tools Required:

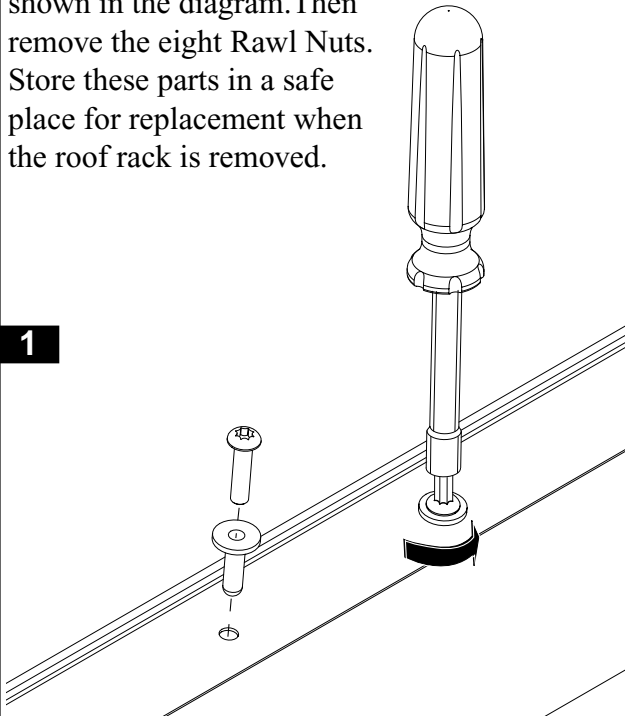
Torque Tool



2 x 10mm Spanner

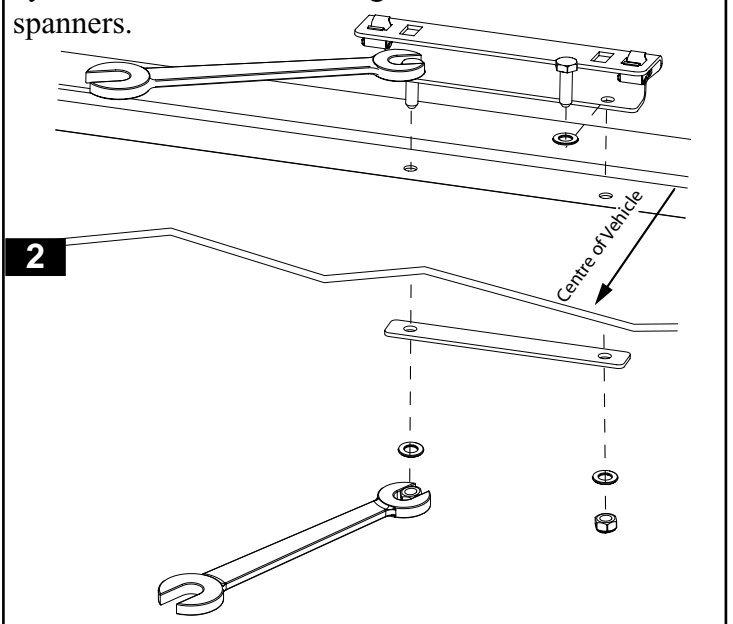


Remove the eight Torque Bolts using a Torque tool as shown in the diagram. Then remove the eight Rawl Nuts. Store these parts in a safe place for replacement when the roof rack is removed.



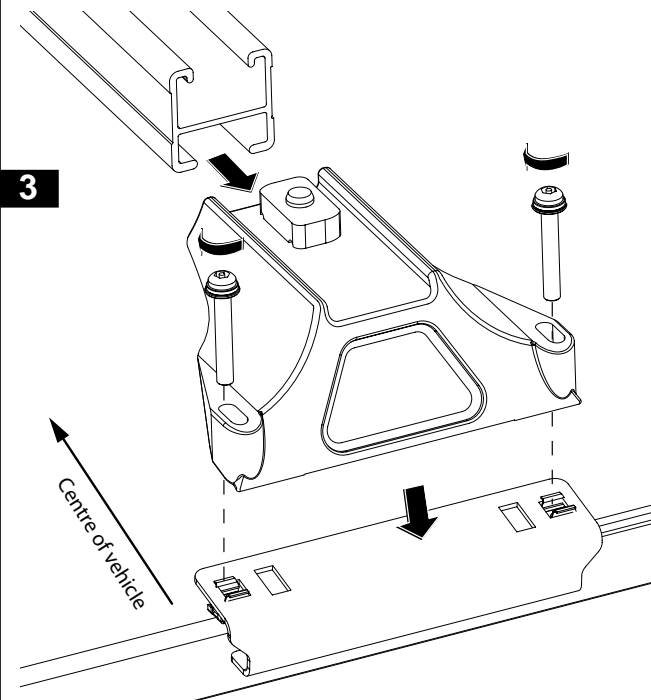
1

Assemble a M6 bolts and a washer into each hole of the brackets as shown. Place the bracket on the rooftop align the bolts in the vehicles roof rack holes. Locate Backing plate on inside of vehicle. Place a washer and nyloc nut to each bolt and tighten with two 10mm spanners.



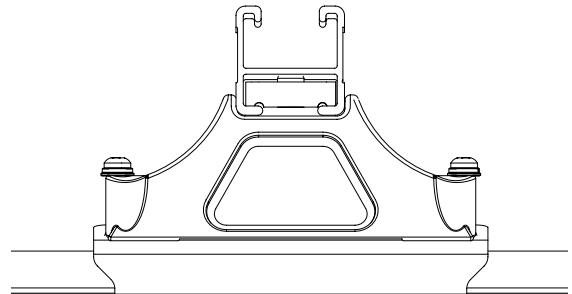
2

Place the support leg onto the bracket. Assemble one spring and flat washer to each M6 x 40mm security bolt. Finger tighten the bolts through the leg support fixing it to the bracket.

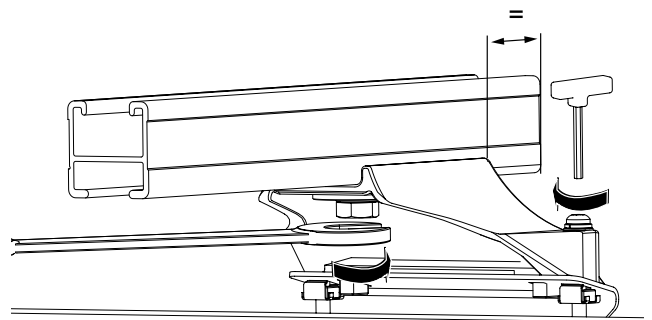


3

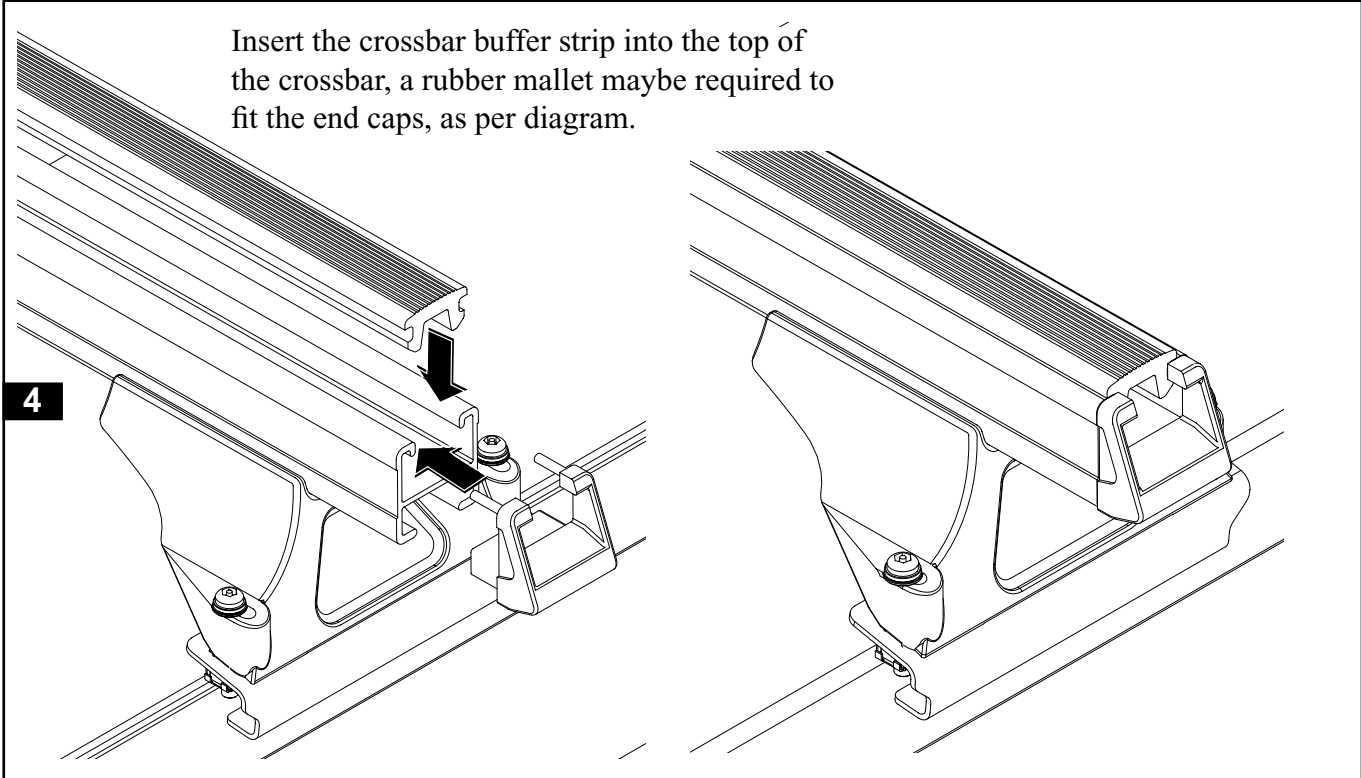
Check that the channel nut is fully located across the bar



Tighten all leg bracket attachment bolts. Adjust the crossbar for equal overhang each side of the vehicle as per the diagram. Tighten all crossbar attachment bolts.



Insert the crossbar buffer strip into the top of the crossbar, a rubber mallet maybe required to fit the end caps, as per diagram.



## **RECOMMENDATIONS**

Please refer to your fitting instruction to ensure that the Roof Racks are installed in the correct locations.

Please Note that the vehicles roof load rating may be less than the Roof Rack load rating.

It is essential that all screw/bolt connections are checked after driving a short distance when you first install your Rhino-Rack. Screw/bolt connections should be checked again at regular intervals (probably once a week is enough, depending on road conditions, usage, loads and distances travelled). You should also check the Roof Racks each time they are refitted.

Roof Racks and accessories should be cleaned and all screw threads should be lubricated at regular intervals. Always clean the vehicle roof and the mounting brackets before fitting the roof bars.

Rhino-Rack offers a 3 Year warranty to the original purchaser of the Rhino-Roof Rack Systems and Accessories. Rhino-Rack cannot be held responsible for incorrect mounting of the Roof racks or for usage that exceeds production tolerances.

Make sure to fasten the load securely. Please ensure that all loads are evenly distributed and that the centre of gravity is kept as low as possible.

### **Use only non-stretch fastening ropes and straps.**

### **SENSITIVITY TO CROSSWINDS, BEHAVIOUR IN CURVES AND BRAKING.**

The handling of the car changes when you transport a load on the roof. For safety reasons, we recommend you exercise extreme care when transporting wind resistant loads.

Special consideration must be taken into account when braking.

### **PLEASE REMOVE ROOF RACKS WHEN PUTTING VEHICLE THROUGH AUTOMATIC CAR WASH.**

### **LOAD RATINGS**

Maximum permissible load is 85kg per pair of roof racks (include the weight of the roof bars, 5kg).

When Roof Racks are to be used in off-road conditions, please build a safety factor of 1.5 into this load limit (57kg per pair). Although the Roof Racks are tested and approved to AS1235-2000, Australian road conditions can be much more rigorous. However, increasing the number of crossbars does not increase the vehicles maximum permissible roof loading. Note for dealers and fitters. It is your responsibility to ensure instructions are given to the end user or supplier.

### **Manufactured by Rhino-Rack**

**3 Pike Street, Rydalmere,**

**NSW 2116, Australia**

**(Ph) 02 9638 4744 (Fax) 02 9638 4822**

RHINO - RACK

Prepared By: Joseph Ormrod

Authorised By: Gary England

No: RR86

Issue No: 02

Issue Date:22/12/2014