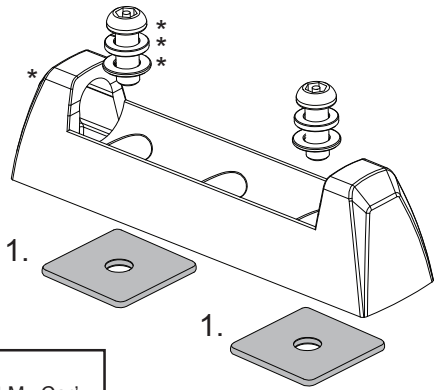


RHINO-RACK CONTROLLED

QMFK11



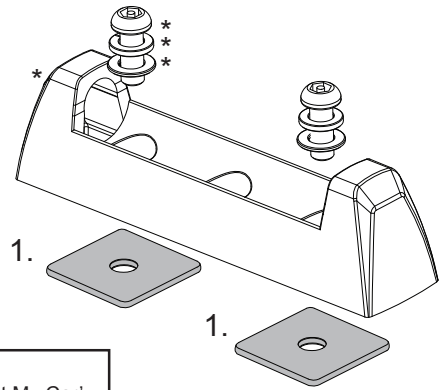
Note:
Please refer to 'Fit My Car'
on the Rhino-Rack web site
for comprehensive
instructions on fitting racks
to your vehicle.
*RLT600 Parts as separate.

Item	Component	Qty	Part No.
1	M6 Nut 30x25x5mm	4	N035A
2	Instructions	1	R1008

Issue: 01 Document No: R1008 Prepared by: Kayle Everett

RHINO-RACK CONTROLLED

QMFK11



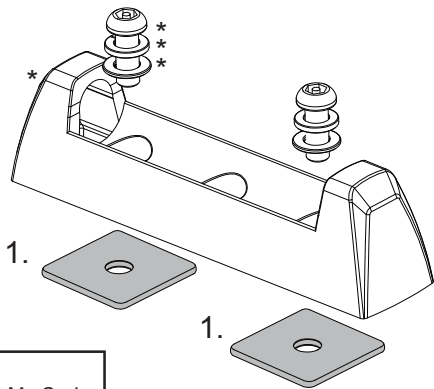
Note:
Please refer to 'Fit My Car'
on the Rhino-Rack web site
for comprehensive
instructions on fitting racks
to your vehicle.
*RLT600 Parts as separate.

Item	Component	Qty	Part No.
1	M6 Nut 30x25x5mm	4	N035A
2	Instructions	1	R1008

Issue: 01 Document No: R1008 Prepared by: Kayle Everett

RHINO-RACK CONTROLLED

QMFK11



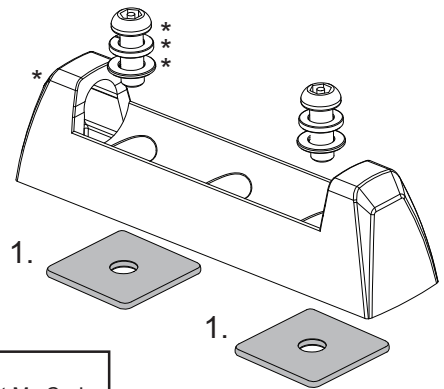
Note:
Please refer to 'Fit My Car'
on the Rhino-Rack web site
for comprehensive
instructions on fitting racks
to your vehicle.
*RLT600 Parts as separate.

Item	Component	Qty	Part No.
1	M6 Nut 30x25x5mm	4	N035A
2	Instructions	1	R1008

Issue: 01 Document No: R1008 Prepared by: Kayle Everett

RHINO-RACK CONTROLLED

QMFK11



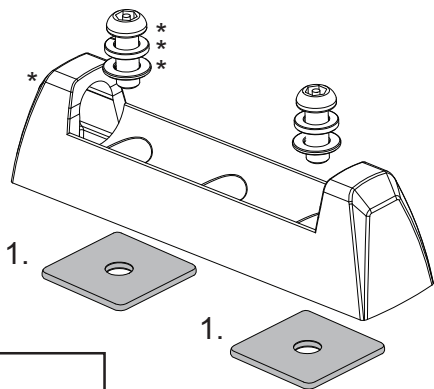
Note:
Please refer to 'Fit My Car'
on the Rhino-Rack web site
for comprehensive
instructions on fitting racks
to your vehicle.
*RLT600 Parts as separate.

Item	Component	Qty	Part No.
1	M6 Nut 30x25x5mm	4	N035A
2	Instructions	1	R1008

Issue: 01 Document No: R1008 Prepared by: Kayle Everett

RHINO-RACK CONTROLLED

QMFK11



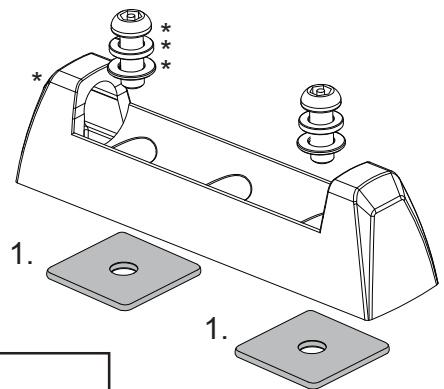
Note:
Please refer to 'Fit My Car'
on the Rhino-Rack web site
for comprehensive
instructions on fitting racks
to your vehicle.
*RLT600 Parts as separate.

Item	Component	Qty	Part No.
1	M6 Nut 30x25x5mm	4	N035A
2	Instructions	1	R1008

Issue: 01 Document No: R1008 Prepared by: Kayle Everett

RHINO-RACK CONTROLLED

QMFK11



Note:
Please refer to 'Fit My Car'
on the Rhino-Rack web site
for comprehensive
instructions on fitting racks
to your vehicle.
*RLT600 Parts as separate.

Item	Component	Qty	Part No.
1	M6 Nut 30x25x5mm	4	N035A
2	Instructions	1	R1008

Issue: 01 Document No: R1008 Prepared by: Kayle Everett