



# RHINO-RACK

Aerodynamic & Heavy Duty Roof Rack Systems

**RTS507 Track Mount System; Nissan Navara Dual Cab.  
Nissan Frontier Dual Cab.  
Suzuki Equator Crew Cab.**

**Important:** Please read these instructions carefully prior to and during installation.  
Check the contents of kit before commencing fitment and report any discrepancies.  
Place these instructions in the vehicle's glove box after installation is complete.

## Parts List

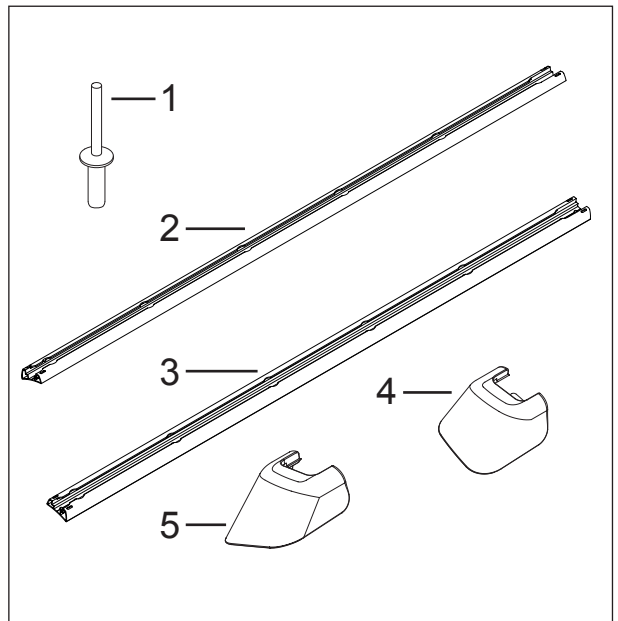
Maximum carrying capacity: 100kg/220lbs

Item	Component Name	Qty	Part No.
1	Rivet 5mm	16	H004
2	Track 1100mm RIGHT	1	A351
3	Track 1100mm LEFT	1	A351
4	Rubber End Cap FL/RR	2	M277
5	Rubber End Cap FR/RL	2	M278
6	Fitting Instruction	1	RR 142

### Tools Required:

Pneumatic or Concertina  
Rivet gun.  
Marking pen.  
Masking tape.  
Pin Punch, Ø4-5mm.  
Hammer.  
Centre Punch.  
Power or Cordless drill.  
5mm drill bit.

Vacuum cleaner.  
Cold galvanizing solution.  
Brush.  
Selleys Butyl Mastic.  
Measuring tape.

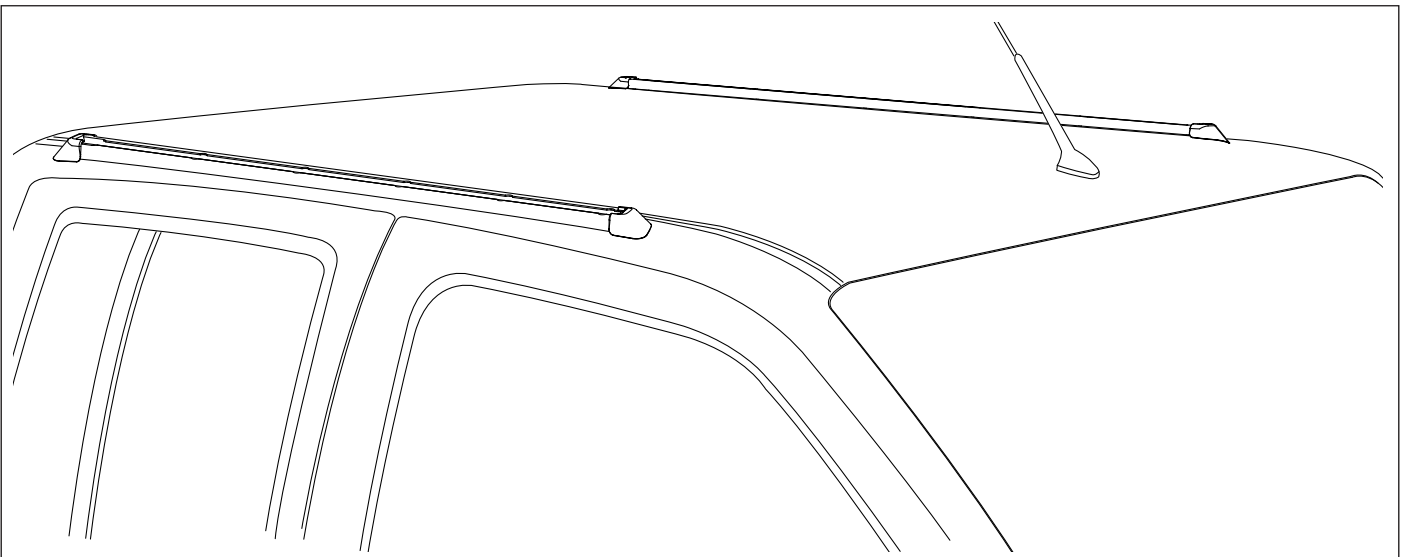


### SPECIAL NOTE:

**Assistance by a second person is recommended to put downward pressure on the Track while the holes are marked out and drilled.**

### IMPORTANT Care Instruction:

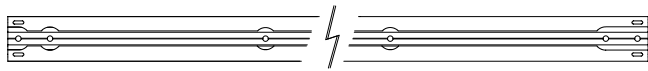
**Wash the roof prior to fitting the Trackmount System. PLEASE READ THROUGH INSTRUCTIONS BEFORE FITTING.**





# RTS507 Track Mount System

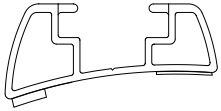
1



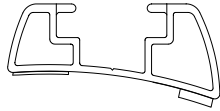
FRONT

REAR

Tracks viewed from the REAR of vehicle.



LEFT Passenger Side.



RIGHT Driver Side.

Place the Track on the correct side of the vehicle. The large slot opening denotes Rear of Track.

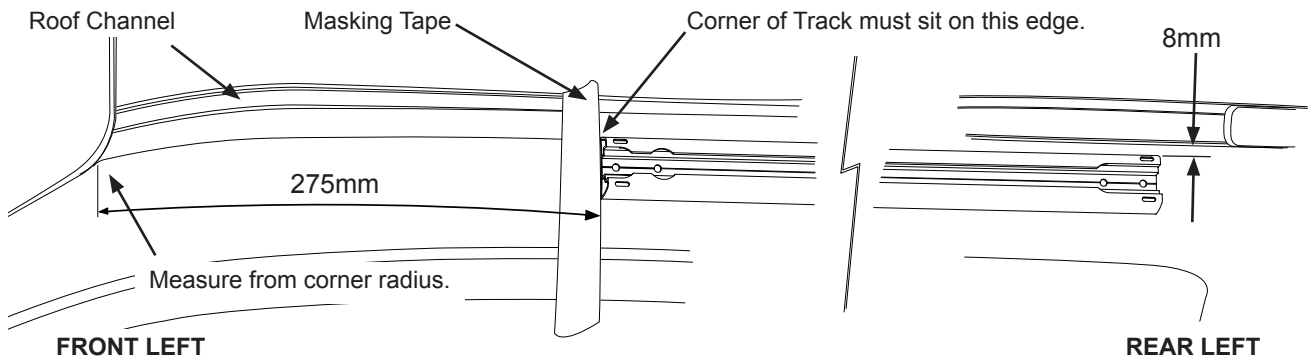
2

Use masking tape as a line to measure from while marking out holes for drilling. Place track on outer section of the roof, between door jamb and roof channel.

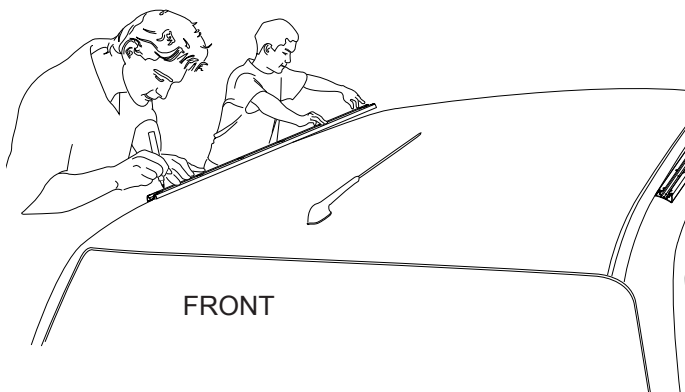
**FRONT:** Measure 275mm from the Front corner of the roof channel to the end of the track.

Front inside corner of Track must sit on the outer edge of the roof channel.

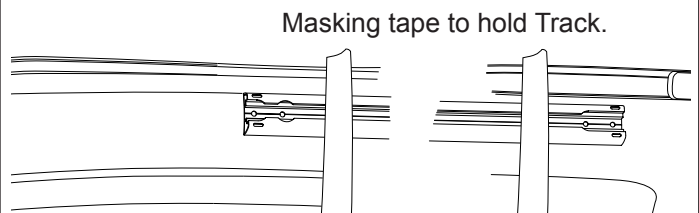
**REAR:** Measure 8mm from the outer edge of the roof channel to the inside edge of the track.



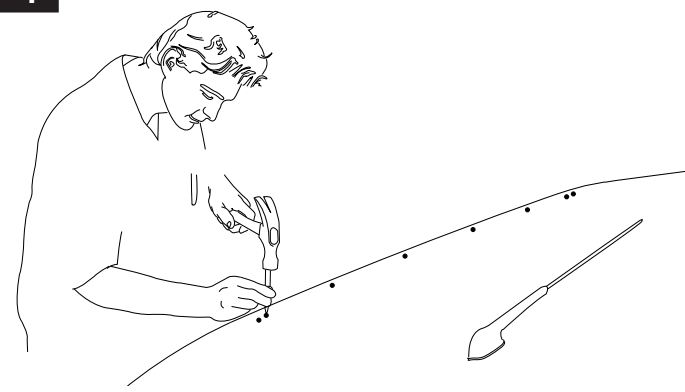
3



Hold track down tight on roof. Assistance is recommended by a second person while the drill holes are marked. Mark all holes using a marking pen. Remove the track. Masking tape can be used to hold track in position.



4

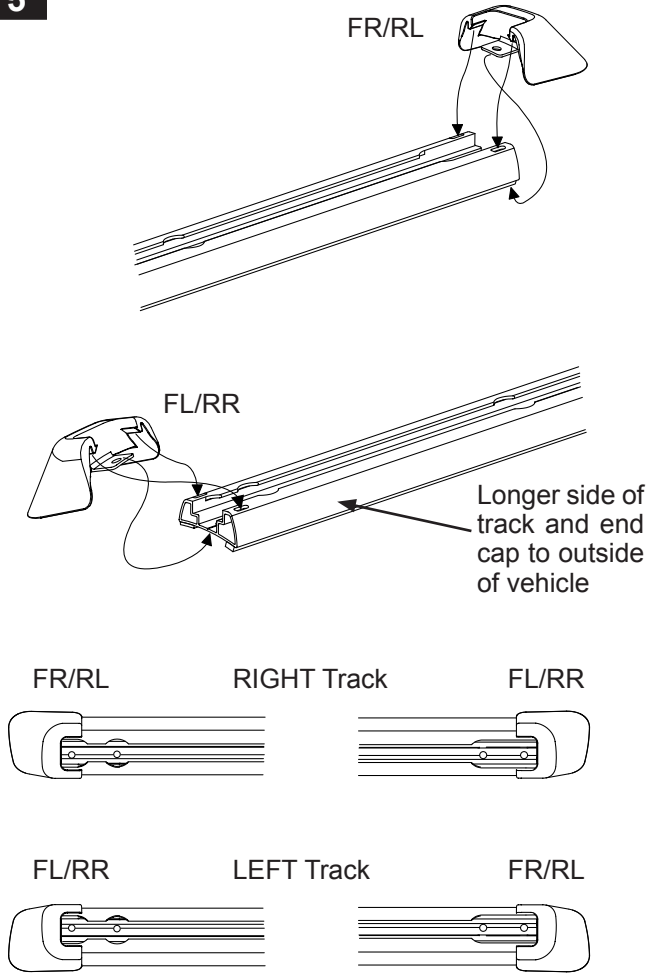


Accurately centre punch all holes before drilling. **Apply masking tape along door jambs and window seals to prevent swarf entering while drilling.** Drilling shown at step 5.



# RTS507 Track Mount System

5



Push the tabs of end cap through the slots on top of the track. The tongue on the back of the end cap must lie underneath the track. A rivet will go through the track and end cap hole and hold tight.

**Lubricate the tabs to make pushing through the aluminium slots easier.**

The End Caps are marked on the under side;

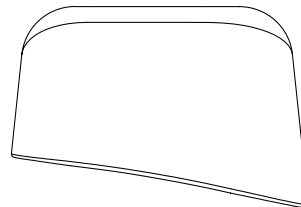
**FL/RR** - Front Left/Rear Right

**FR/RL** - Front Right/Rear Left

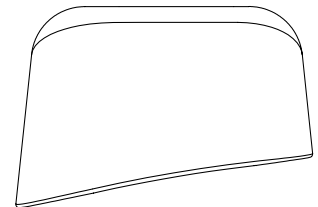
The **FL/RR** end cap suits the Front of the LEFT track and the Rear of the RIGHT track.

The **FR/RL** end cap suits the Front of the RIGHT track and the Rear of the LEFT track.

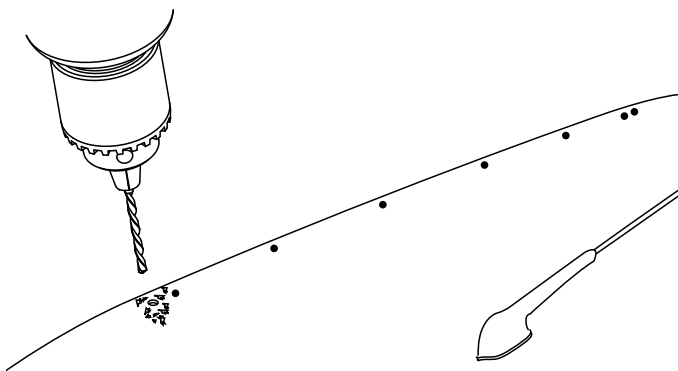
**FL/RR**



**FR/RL**



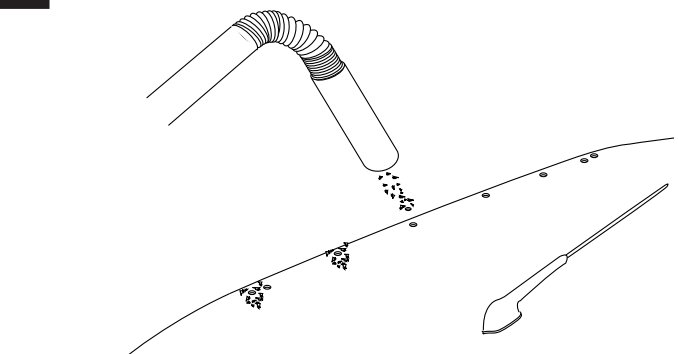
6



Marked out holes can now be drilled through the top roof skin using a 5mm drill bit. There is a second skin which is approx 4-8mm below. **DO NOT DRILL THROUGH THE SECOND SKIN.**

**NOTE: While drilling, angle the drill to be perpendicular to the roof angle.**

7

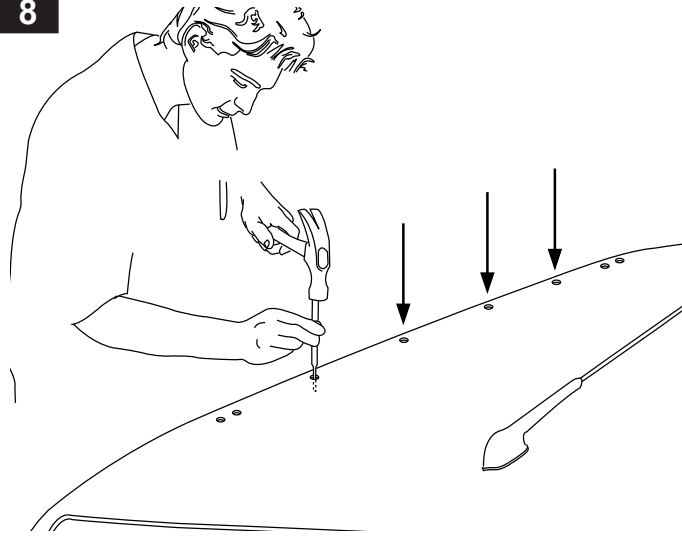


Use a vacuum to remove swarf.



# RTS507 Track Mount System

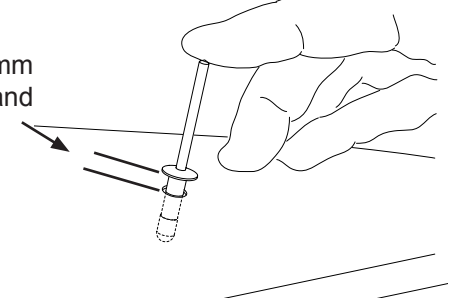
8



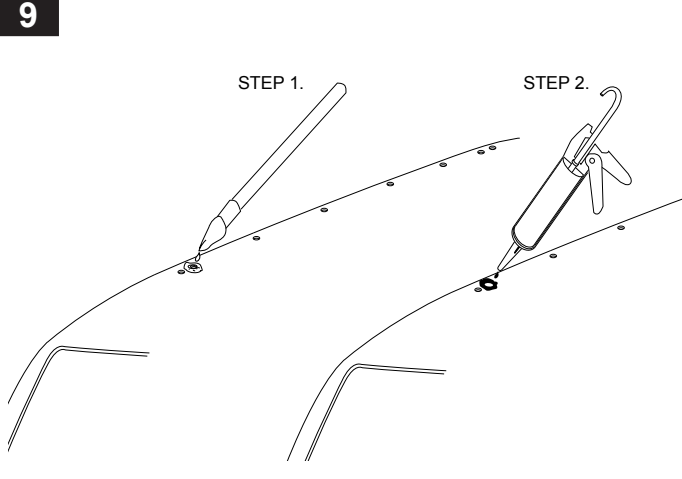
Four spots on the second skin of the roof have to be hit and dented for clearance on the rivet. A Pin punch of  $\text{Ø}4\text{-}5\text{mm}$  will need to be used.

As shown in the diagram on the left, carefully hit the four middle holes on each side. The two holes at each end have sufficient clearance.

Max gap of 2 - 3mm between roof and rivet head.

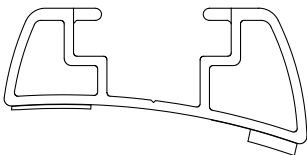


9

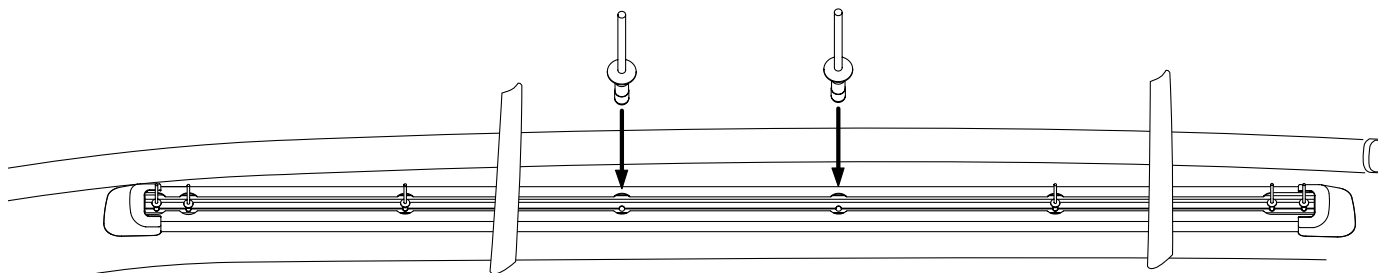


Apply a liberal amount of cold galvanizing solution to the inside and surrounds of all holes. Allow cold galvanizing solution to dry, three to four minutes, then apply a liberal amount of Selley's Butyl Mastic in and around each hole.

10 Peel the White backing tape off the under side of the track. Accurately place the track over the drilled holes in the roof channel. Use the rivets to position. Make sure track orientation is correct. Large oval slot in the top of the track goes to the REAR. Tracks are LEFT and RIGHT hand.



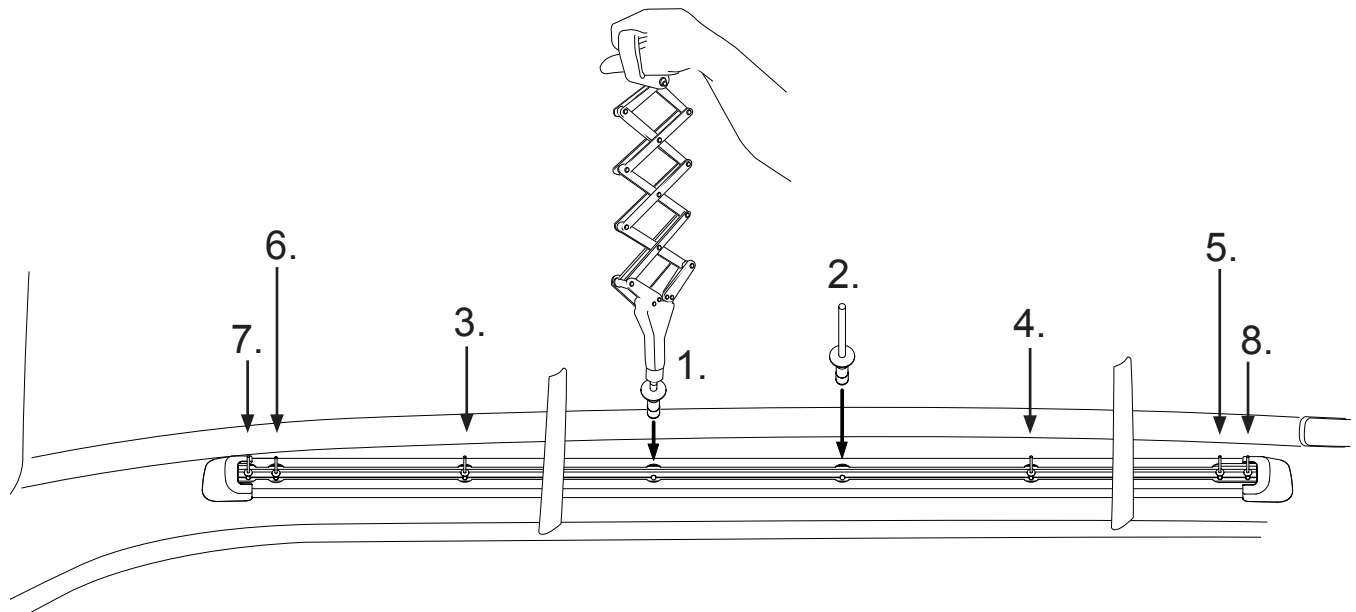
Longer side to OUTSIDE of Vehicle.





## RTS507 Track Mount System

- 11** Start from the centre and work out when riveting the tracks. The end holes that secure the rubber End Caps, which are marked **7 & 8** MUST ALWAYS BE THE LAST TWO HOLES THAT ARE RIVETED.



### Important Information

**Maximum carrying capacity: 100kg/220lbs evenly distributed.**

**Recommendations:**

It is essential that all bolt connections be checked after driving a short distance when you first install your crossbars. Bolt connections should be checked again at regular intervals (probably once a week is enough, depending on road conditions, usage, loads and distances travelled). You should also check the crossbars each time they are re-fitted.

Make sure to fasten your load securely. Ensure all loads are evenly distributed and centre of gravity is kept as low as possible.

**Use only non-stretch fastening ropes or straps.**

**Caution:** The handling characteristics of the vehicle changes when you transport a load on the roof. For safety reasons we recommend you exercise extreme care when transporting wind-resistant loads. Special consideration must be taken into account when cornering and braking.

**Please remove crossbars when putting vehicle through an automatic car wash.**

**Load ratings:**

Maximum permissible load is 100kg per pair of crossbars. When crossbars are to be used in off-road conditions, please build a safety factor of 1.5 into this load limit. **67kg** for off-road. Although the crossbars are tested and approved to AS1235-2000, off-road conditions can be much more rigorous. However, increasing the number of crossbars does not increase the vehicles maximum permissible roof loading.

**Note for Dealers and Fitters:**

It is your responsibility to ensure instructions are given to the end user or client.

**Rhino-Rack**

3 Pike Street, Rydalmere,  
NSW 2116, Australia.  
(Ph) (02) 9638 4744  
(Fax) (02) 9638 4822

Document No: RR-142  
Prepared By: Craig Jones  
Authorised By: Gary England

Issue No: 04  
Issue Date: 15/02/2011

These instructions remain the property of Rhino-Rack Australia Pty. Ltd. and may not be used or changed for any other purpose than intended.