

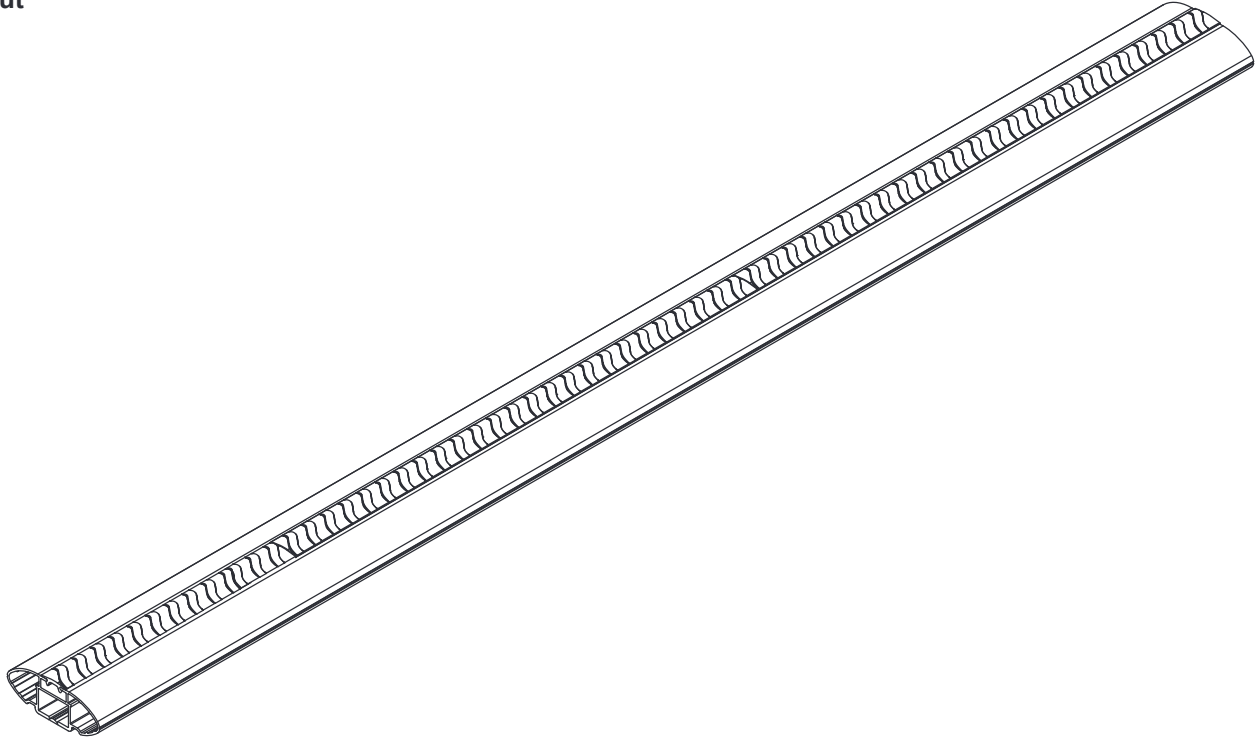


# RHINO-RACK

## Rhino-Rack Vortex Generating Strip (M626)

**Important:** Please read these instructions carefully prior to installation. Please refer to your fitting instruction to ensure that the kayak carrier is installed in the correct locations. Check the contents of kit before commencing fitment and report any discrepancies. Place these instructions in the vehicle's glove box after installation is complete.

### Layout



### Important Information

**Maximum carrying capacity: Refer to maximum carrying capacity of roof racks**

Please refer to your vehicle manufacturers handbook for maximum carrying capacity of your roof racks. Always use the lower of the two figures. Load must be evenly distributed over the crossbars.

**Use only non-stretch fastening ropes or straps.**

**Recommendations:**

It is essential that all bolt connections be checked after driving a short distance when you first install your roof racks. Bolt connections should be checked again at regular intervals (once a week is enough, depending on road conditions, usage, loads and distances travelled). You should also check the roof racks each time they are re-fitted. Always make sure to fasten your load securely. Please also ensure that all loads are evenly distributed and that the centre of gravity is kept as low as possible. Long loads (e.g. canoes and kayaks) must be secured front and rear with non-stretch fastening ropes or straps.

**Roof racks must be removed when putting vehicle through an automatic car wash.**

**Caution:** The handling characteristics of the vehicle changes when you transport a load on the roof. For safety reasons we recommend you exercise extreme care when transporting wind-resistant loads. Special consideration must be taken into account when cornering and braking.

**Note for Dealers and Fitters**

It is your responsibility to ensure this fitting instruction is given to the end user or client

Rhino-Rack  
3 Pike Street, Rydalmere,  
NSW 2116, Australia.  
(Ph) (02) 9638 4744  
(Fax) (02) 9638 4822

Document No: R251  
Prepared By: Andy Wana  
Authorised By: Chris Murty

Issue No: 01  
Issue Date: 14/01/2013

These instructions remain the property of Rhino-Rack Australia Pty Ltd and may not be used or changed for any other purpose than intended.



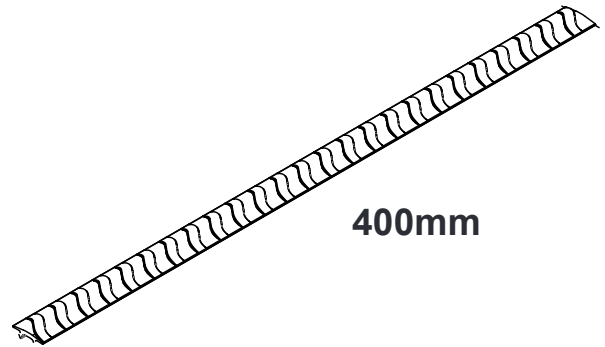
# Rhino-Rack Vortex Generating Strip (M626)

## Parts List

Item	Component Name	Qty	Part No
1	Vortex Generating Strip	1	M626
2	Fitting Instructions	1	R251

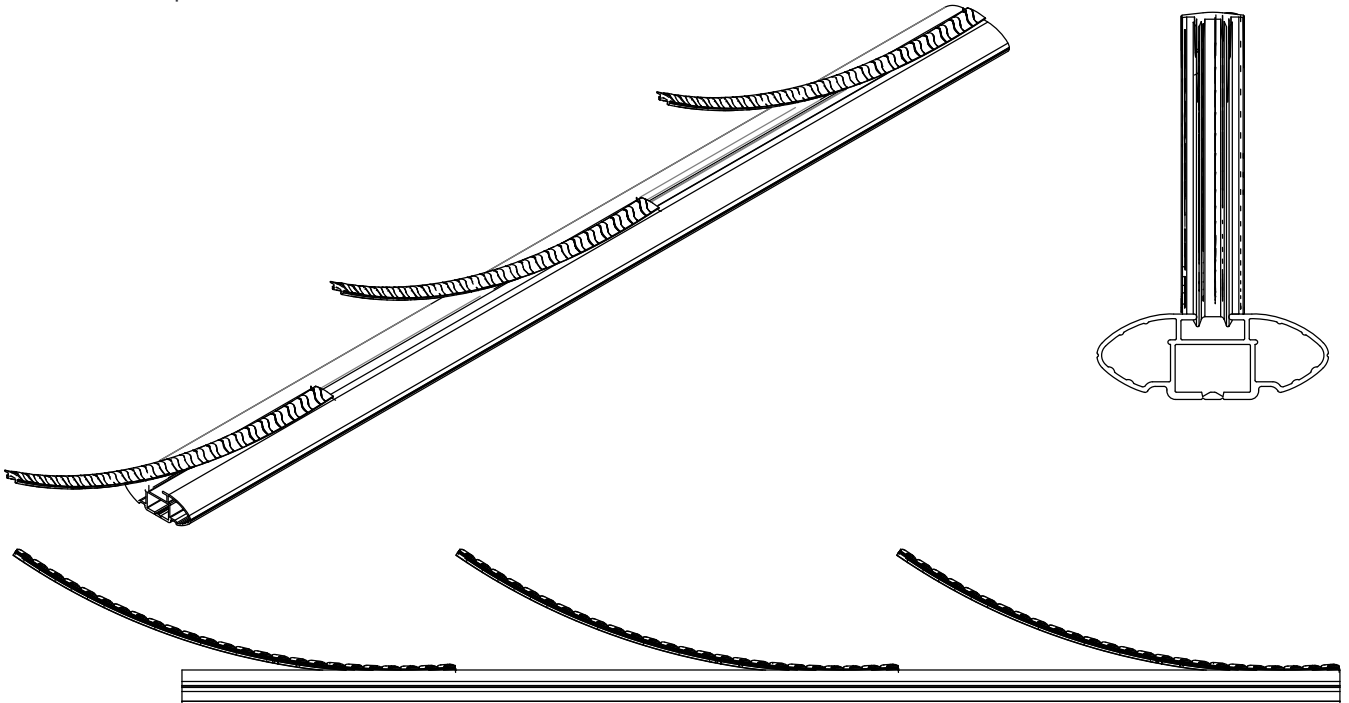
### Care Instruction:

Wash and clean vehicle roof racks prior to fitment



## Fitting Instructions

- 1** Insert the strip as shown into the bar



- 2** Cut 3mm longer than the bar and press in. This extra 3mm accounts for any shrinkage in the rubber.

