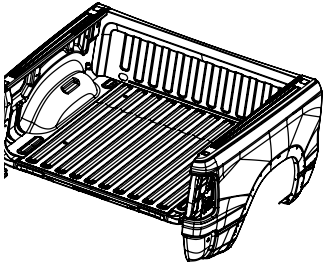


**TOOLS NEEDED:**

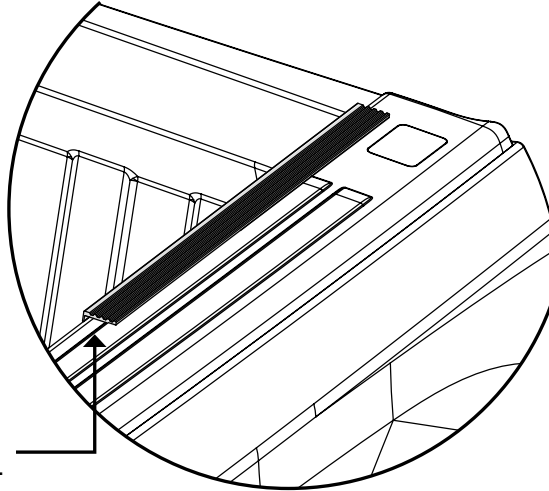
- 3/8" socket
- Ratchet

## STEP 1:

Place rubber pads on bed rails.  
(1) per side.

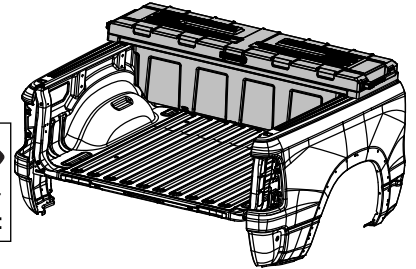


PLACE RUBBER PAD OVER  
INSIDE LEDGE OF BED RAIL



## STEP 2:

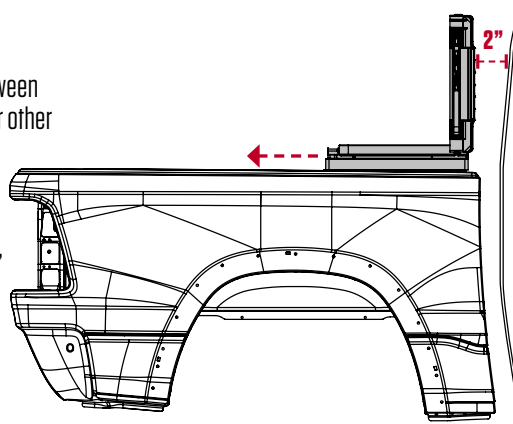
Unless you've experienced radiation exposure (allowing you to mutate into The Hulk) grab a friend to help you lift the Tool Box into place on top of the rubber pads. Center the Tool Box L-R between the bed rails and align square to the bed on both sides.



## STEP 3:

Make sure there is adequate distance (at least 2") between the Tool Box lid and any cab mounted cameras, lights or other important bits.

Use 2" cardboard spacer provided in your hardware kit to confirm clearance. Fold spacer 90 degrees at perforation, remove adhesive backing and stick to the center of the Tool Box lid. Open lid and shift the Tool Box toward the tailgate as needed to ensure correct positioning.



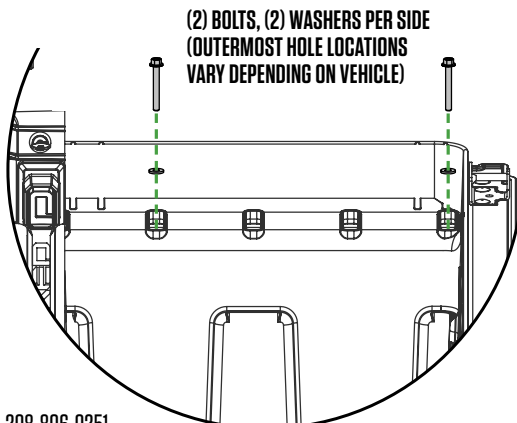
**WARNING**  
**PROTECT YOUR TECH!**  
**KEEP AT LEAST A**  
**DISTANCE OF 2"**  
**BETWEEN TOOL BOX**  
**LID AND BACKUP**  
**CAMERA/LIGHTS**

## STEP 4:

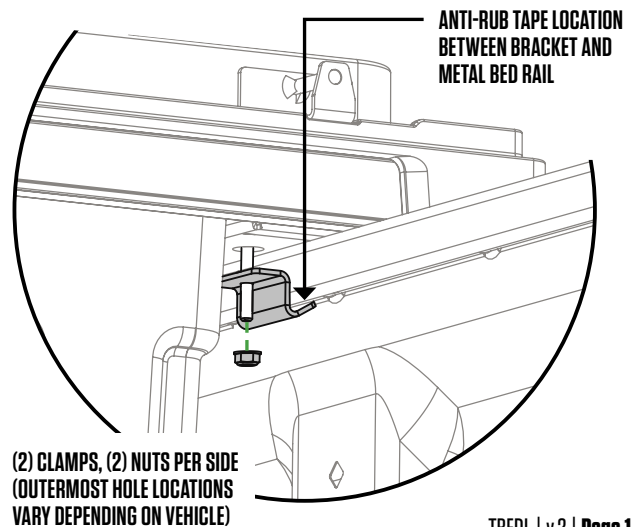
**NOTE (ALUMINUM BED FORD OWNERS):** Install anti-rub tape provided in your hardware kit to the mounting bracket if the bracket will come in contact with paint or metal on your truck bed (anti-rub tape is not necessary if the bracket contacts plastic).

Install (2) bed rail clamps on each side of the Tool Box using one location as close to the tailgate as possible and one location as close to the cab as possible. **NOTE:** Outermost clamp locations vary per vehicle depending on the topology of the bed rails.

Secure clamps with bolts, washers and nuts in order shown. Tighten all four bolts.  
Test tightness by closing Tool Box lid and pulling on the handles, L-R and front to back.



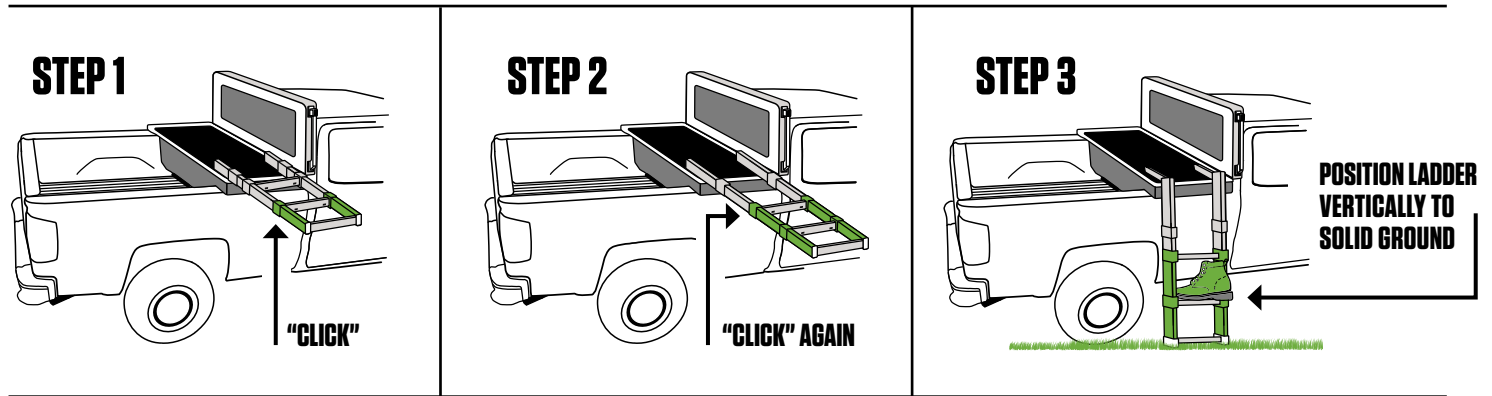
(2) BOLTS, (2) WASHERS PER SIDE  
(OUTERMOST HOLE LOCATIONS  
VARY DEPENDING ON VEHICLE)



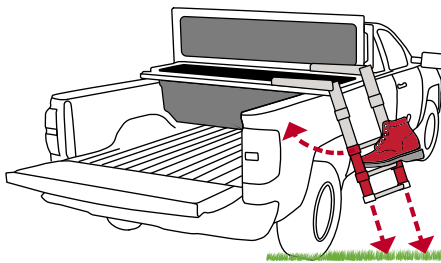
ANTI-RUB TAPE LOCATION  
BETWEEN BRACKET AND  
METAL BED RAIL

(2) CLAMPS, (2) NUTS PER SIDE  
(OUTERMOST HOLE LOCATIONS  
VARY DEPENDING ON VEHICLE)

# USING THE LADDER:



## ▼ WARNING DON'T DO THIS ▼



**PLACE LADDER ON SOLID GROUND WITH BOTH RUNGS LOCKED INTO PLACE (LADDER STEPS 1-3). FAILURE TO DO THIS COULD ALLOW LADDER TO SWING INTO TRUCK AND CAUSE DAMAGE TO THE VEHICLE**



SCAN ME

WATCH LADDER INSTRUCTIONAL VIDEOS:  
[DECKED.COM/LADDER](https://DECKED.COM/LADDER)

## DECKED LIMITED LIFETIME WARRANTY:

DECKED LLC warrants to the original purchaser of this product that the product will be free from defects in material and workmanship from the date of purchase and continuing for the expected lifetime of the DECKED product. The DECKED Product must be registered by the original purchaser with DECKED, LLC via its website at [DECKED.COM/REGISTER](https://DECKED.COM/REGISTER), and a copy of the original sales receipt must be supplied to the Manufacturer at the time a warranty claim is made. The warranty terminates if the original purchaser transfers the DECKED product to any other person or vehicle. The original purchaser must contact the DECKED LLC customer service team and provide a description of the defective part, including digital pictures if requested, with the original purchase documentation as validation of warranty coverage or have previously activated their warranty online.

This warranty DOES NOT cover or apply to:

- Damage to the product due to misuse, mishandling and abuse.
- Products not used in accordance with the manufacturer's instructions or recommendations.
- Product not assembled or installed according to manufacturer's instructions.
- Normal wear and tear.
- Undeclared damage to the system during shipping, acts of God. In addition, consequential damage and incidental damages (including lost time) such as damage to persons or property are not covered under this warranty.

More information: [DECKED.COM/WARRANTY](https://DECKED.COM/WARRANTY)



SCAN ME

REGISTER YOUR DECKED GEAR:  
[DECKED.COM/REGISTER](https://DECKED.COM/REGISTER)

## WARNING:

Failure to read and follow instructions for DECKED Tool Box installation and ladder usage may result in personal injury, or cause damage to the vehicle. Please read our comprehensive DECKED Tool Box warning in detail: [DECKED.COM/LADDER](https://DECKED.COM/LADDER)

FOLLOW US: 



@DECKEDUSA | #DECKEDUSA