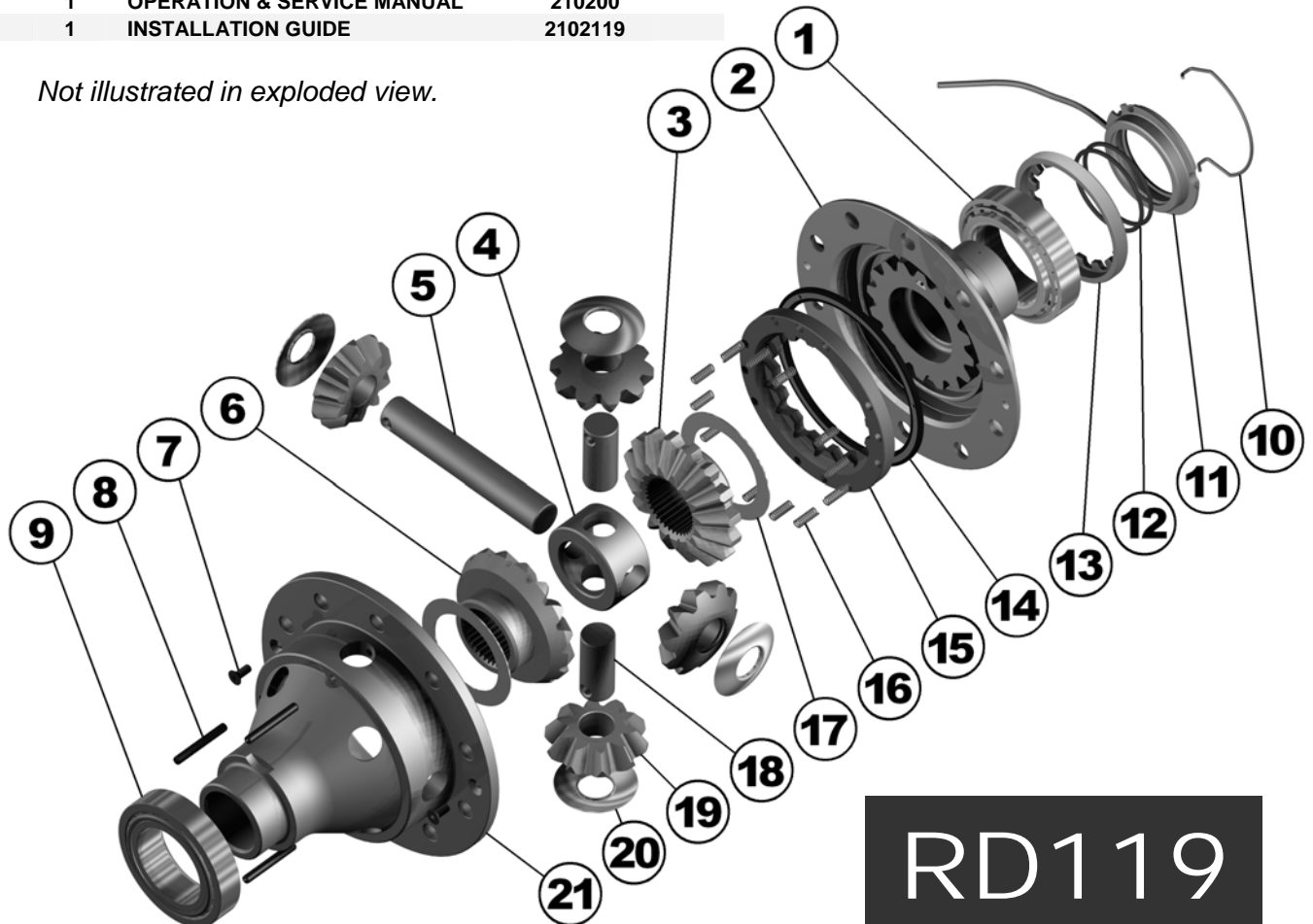


# ARB AIR LOCKER *Air Operated Locking Differentials*

## **RD119** Ford 9",31 SPL

| ITEM # | QTY | DESCRIPTION                        | PART #       | NOTES |
|--------|-----|------------------------------------|--------------|-------|
| 01     | 1   | TAPERED ROLLER BEARING             | NOT SUPPLIED |       |
| 02     | 1   | FLANGE CAP ASSEMBLY                | 027306       |       |
| 03     | 1   | SPLINED SIDE GEAR                  | SEE NOTE     | 2     |
| 04     | 1   | SPIDER BLOCK                       | 070201       |       |
| 05     | 1   | LONG CROSS SHAFT                   | 060204       |       |
| 06     | 1   | SIDE GEAR                          | SEE NOTE     | 2     |
| 07     | 2   | COUNTERSUNK SCREW                  | 200213       |       |
| 08     | 3   | CROSS SHAFT RETAINING PIN          | 120701       |       |
| 09     | 1   | TAPERED ROLLER BEARING             | NOT SUPPLIED |       |
| 10     | 1   | SEAL HOUSING RETAINING CLIP        | 150602       |       |
| 11     | 1   | SEAL HOUSING                       | 082002       |       |
| 12     | 2   | SEAL HOUSING O-RING                | 160235       | 1     |
| 13     | 1   | ADJUSTER NUT (75.3mm [2.95"])      | 100703       |       |
| *      | 1   | ADJUSTER NUT (80mm [3.15"])        | 100704       |       |
| 14     | 1   | BONDED SEAL                        | 160703       |       |
| 15     | 1   | CLUTCH GEAR                        | 050804       |       |
| 16     | 12  | RETURN SPRING                      | 150113       |       |
| 17     | 2   | SIDE GEAR THRUST WASHER            | 151010       |       |
| 18     | 2   | SHORT CROSS SHAFT                  | 060403       |       |
| 19     | 4   | PINION GEAR                        | SEE NOTE     | 2     |
| 20     | 4   | PINION THRUST WASHER               | 151110       |       |
| 21     | 1   | DIFFERENTIAL CASE                  | 012206       |       |
| *      | 1   | BULKHEAD FITTING KIT (O-RING TYPE) | 170111       |       |
| *      | 1   | PUSH-IN FITTING (5mm to 1/8" BSPP) | 170201       |       |
| *      | 1   | AIR LINE (5mm DIA X 6m LONG)       | 170301       |       |
| *      | 1   | NIPPLE (1/8" to 1/8" BSPT)         | 170501       |       |
| *      | 1   | SOLENOID VALVE (12V)               | 180103       |       |
| *      | 1   | SWITCH                             | 180209       |       |
| *      | 1   | SWITCH COVER (FRONT)               | 180210       |       |
| *      | 1   | SWITCH COVER (REAR)                | 180211       |       |
| *      | 10  | CABLE TIE                          | 180301       |       |
| *      | 1   | WARNING LABEL                      | 210101       |       |
| *      | 1   | BUMPER STICKER                     | 210102       |       |
| *      | 1   | OPERATION & SERVICE MANUAL         | 210200       |       |
| *      | 1   | INSTALLATION GUIDE                 | 2102119      |       |

\* Not illustrated in exploded view.



### Specs:

|                    |                            |
|--------------------|----------------------------|
| Axle Spline        | 31 tooth, Ø33.5mm [1.32"]  |
| Ratio Supported    | All                        |
| Ring Gear ID       | 127.0mm [5.00"]            |
| Ring Gear OD       | 229mm [9"]                 |
| Ring Gear Bolts    | 10 bolts on Ø152mm [6.00"] |
| Ring Gear Torque   | 95Nm [70 ft-lb]            |
| OEM Backlash       | 0.25-0.41mm [0.010-0.016"] |
| Non-OEM Backlash   | 0.18-0.25mm [0.007-0.010"] |
| Bearing Cap Torque | 81Nm [60 ft-lb]            |

### Notes:

- 1 For replacement O-rings use only BS132 Viton 75.
- 2 Available only as complete 6 gear set #728H091

For the 35 spline Ford 9" refer to RD99 ([Section 2.99](#)).

Refer to seal housing set-up tech note ([Section 5.2](#)).

# RD119

