



**CONTROLLED**

# RHINO-RACK

## 31111 - Universal and Sunseeker Awning Kit

Place these instructions in the vehicle's glove box after installation is complete.

**Important:**

Please read these instructions carefully prior to installation.  
Please refer to your fitting instruction to ensure that the roof racks are installed in the correct locations.  
Check the contents of kit before commencing fitment and report any discrepancies.

### Parts List

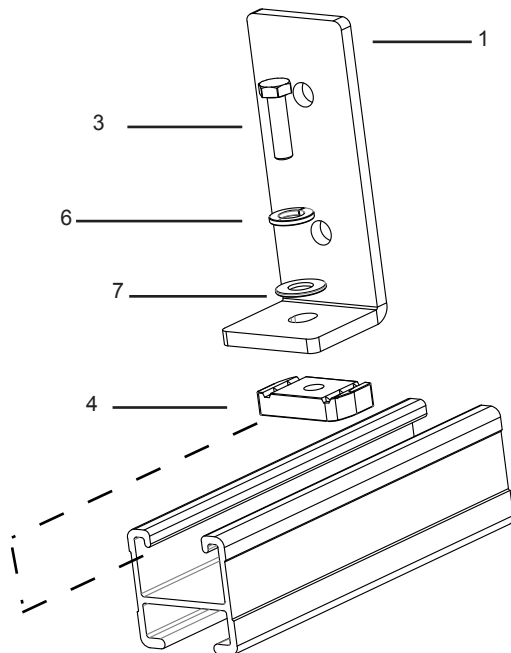
Item	Component Name (Dual Bracket Kit)	Qty	Part No.
1	L Fitting Plate P1326	2	C640
2	M8x19 Rect (20.6x45) HD T-Bolt	2	B222
3	M8x20 Hex Set Screw	2	B020
4	M8 Channel Nut	2	N003
5	M8 Nyloc Nut	2	N028
6	M8 Spring Washer	2	W019
7	M8x17 Flat Washer	2	W020
8	Fitting Instructions	1	R044

### Tools Required

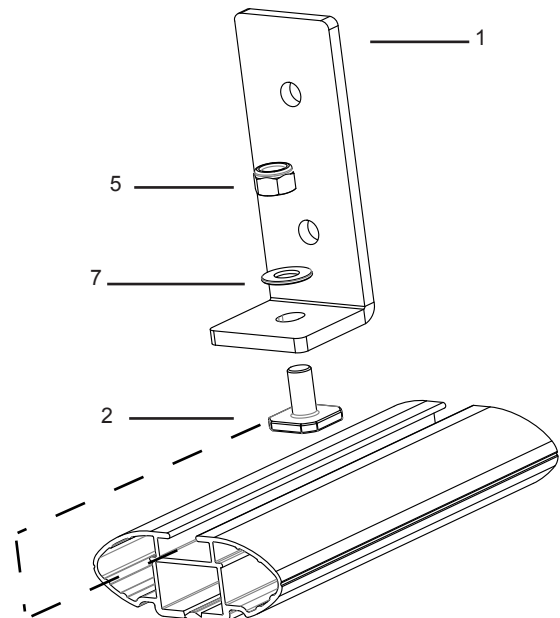
13mm Spanner or ratchet

**Warning:** Not to be used with unsupported Awnings. Vertical legs must always be used to support the weight of the awning.

#### 1 Option 1: Fitment to Rhino Heavy Duty bar



#### 2 Option 2: Fitment to Rhino Vortex bar



Rhino-Rack  
3 Pike Street, Rydalmere,  
NSW 2116, Australia.  
(Ph) (02) 9638 4744 (Fax) (02) 9638 4822

Document No: R044  
Prepared By: Andy Wana  
Authorised By: Chris Murty

Issue No: 05  
Issue Date: 02/03/2016

These instructions remain the property of Rhino-Rack Australia Pty Ltd and may not be used or changed for any other purpose than intended.



# 31111 - Universal and Sunseeker Awning Kit

## 3 Option 3: Fitment for Sunseeker Awning on Pioneer Platform/ Trays and Tradie Trays.

