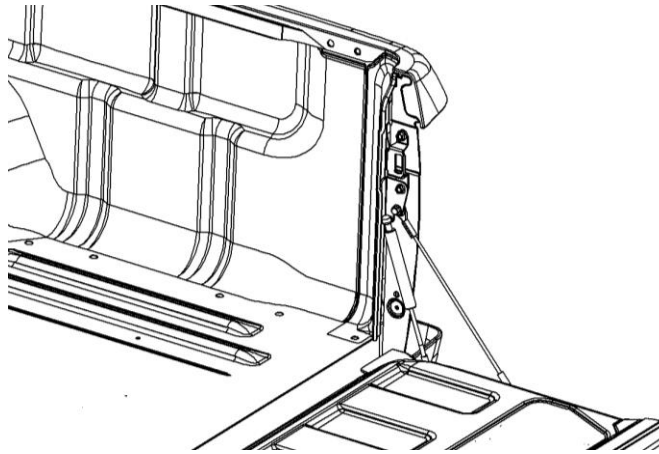


ARB FITTING INSTRUCTIONS

4744010 SUITS ISUZU DMAX 2012+ TAILGATE ASSIST 4744020 SUITS HOLDEN COLORADO 2012+ TAILGATE ASSIST FOR TAILGATES WITH FLAT STEEL STYLE STRAPS






**FITTING KIT: 6176971 ISUZU D-MAX
6177012 HOLDEN COLORADO**

IMPORTANT

- ◆ This product must be installed exactly as per these instructions using only the hardware supplied.
- ◆ Failure to follow instructions precisely may lead to failure of the product or result in injury and/or damage to vehicle.
- ◆ The installation of this product may require the use of specialized tools and/or techniques.
- ◆ During installation, it is the duty of the installer to check correct operation/clearances of all components.
- ◆ Work safely at all times.
- ◆ Specific installation can vary, so please read the following instructions as they refer to important information, which could affect the quality of the final installation.
- ◆ It is advisable to have these parts fitted by an authorised dealer.
- ◆ **Ensuring that the specified torques are used as contained in this fitting instruction is imperative, as failure may occur.**
- ◆ IF IN DOUBT CONTACT ARB FOR FURTHER INSTRUCTION.

HAVE AVAILABLE THESE SAFETY ITEMS WHEN FITTING PRODUCT:

Protective eyewear		Hearing protection		Gloves	
--------------------	---	--------------------	--	--------	---

NOTE: 'WARNING' notes in the fitting procedure relate to OHS situations, where to avoid a potentially hazardous situation it is suggested that protective safety gear be worn or a safe work procedure be employed. If these notes and warnings are not heeded, injury may result.

26-06-2018

Page 1 of 7

ARB Copyright 2016

3789761

If you have any queries regarding the installation of this product please contact the distributor from whom it was purchased, or alternatively the ARB office in your state.

Head Office – ARB Corporation Ltd VIC: 42-44 Garden Street, Kilsyth, Victoria, 3137 Tel: (03) 9761 6622 Fax: (03) 9761 6807

WA:(08) 9244 3553 NSW: (02) 9821 3633 ACT: (02) 6280 7475 SA: (08) 8244 5001 QLD: (07) 3872 3872 NT: (08) 8947 2262 TAS: (03) 6331 4190

CARE INSTRUCTIONS:

In general, the Tailgate Assist system is maintenance free with no need for regular attention. However the following should be noted:-

- ◆ Gas tension springs are open systems. As such, avoid that dirt or other particles get into the tension spring through the ventilation hole in the cylinder end.
- ◆ When cleaning, use a non caustic soap and avoid aiming high pressure water jets into the seal area.
- ◆ If grinding noises come from the ball sockets, remove the ball sockets (being careful not to lose or damage the clip) and clean any grit from the ball socket and ball.
- ◆ Avoid excessive heat (greater than 80°C)
- ◆ DO NOT grip piston rod with pliers, vice or similar (avoid scratching, denting or bending the rod).
- ◆ Avoid paint overspray, weld or grinding splatter, or materials such as glue.
- ◆ Avoid cleaning products that leave a coating such as silicones.
- ◆ Avoid applying adhesive tape to the piston rod.

TOOL LIST FOR FITMENT:

<ul style="list-style-type: none"> • Torque Wrench • Socket driver • T40 Torx socket or key • 12mm socket or spanner • 13mm socket or spanner • 17mm socket or spanner 	
--	--

FITTING IS UNDERTAKEN IN THE FOLLOWING STEPS:




1. Fitting the kit RHS
2. Fitting the kit LHS

!! IMPORTANT !!

REQUIRED SCREW TORQUES: Refer to steps in fitting instruction

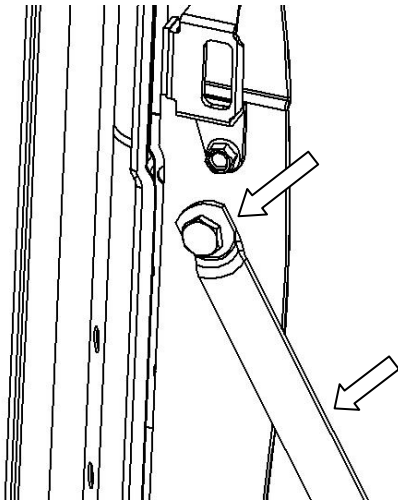
Screw torques must be adhered to. Over torquing can cause failure of components.

THE FITTING KIT CONTAINS:

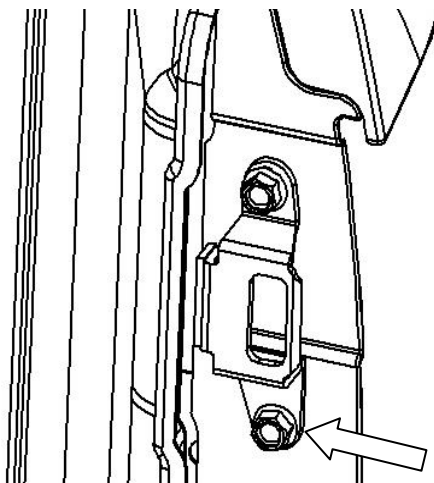
1. 6176971	Part No	Picture	Qty	Description
	3750238R		1	UPPER BALL STUD MOUNT RH
	3750238L		1	UPPER BALL STUD MOUNT LH
	6821342		2	TAILGATE LIMITING STRAP (GREEN DOT)

	3750240R		1	LOWER BALL STUD MOUNT RH
	3750240L		1	LOWER BALL STUD MOUNT LH
	3750241R		1	TAILGATE STRAP GUIDE RH
	3750241L		1	TAILGATE STRAP GUIDE LH
	4590021		1	LIFT SPRING STRUT
USED ONLY IN KIT 6176971	4590022		1	DAMPENING STRUT DMAX (USED IN KIT 4744010)
USED ONLY IN KIT 6177012	4590025		1	DAMPENING STRUT COLORADO (USED IN KIT 4744020)
	4584328		2	M8 FLAT WASHER 1.2MM THICK
	4581303		2	M8 FLAT WASHER 3mm. THICK
	6151730		2	M8 FLANGE HEAD BOLT
	6151874		8	M8 BUTTON HEAD CAP SCREW
	5848468		2	SPACER CABLE TAILGATE
	2125702		1	WARNING LABEL

Section1: FITTING RH ASSIST

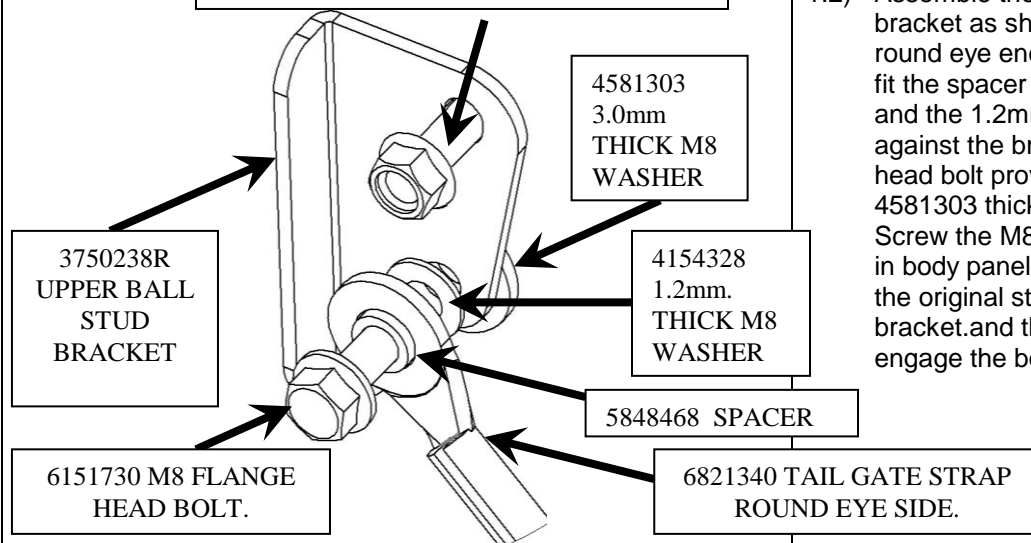


1.0) Using a 17mm socket remove the bolt securing the tailgate limiting strap to the quarter panel. Remove strap from the tailgate by rotating the strap and pulling it away from the mount. Discard the strap assembly and bolt.

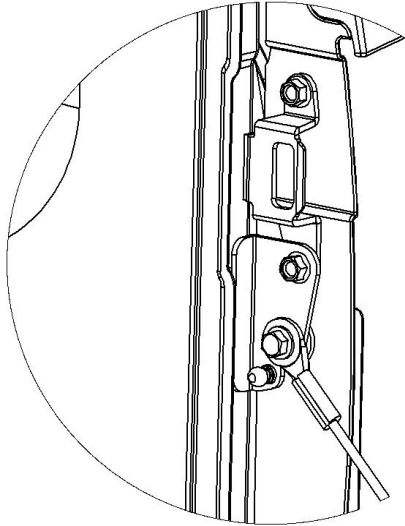


1.1) Using a 12mm socket remove the lower M8 bolt on striker bracket. Retain bolt.

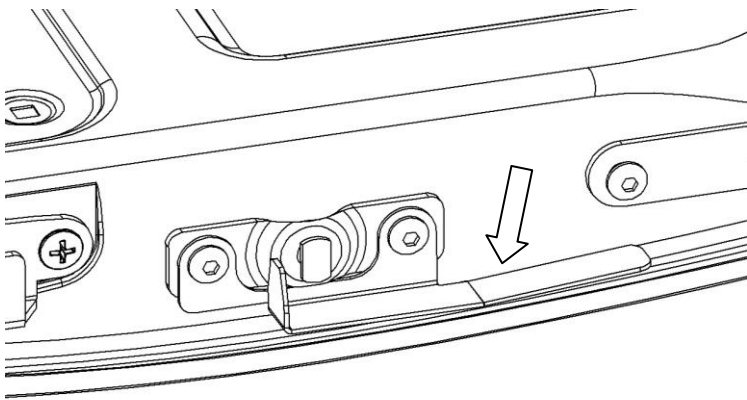
ORIGINAL STRIKER MOUNTING BOLT



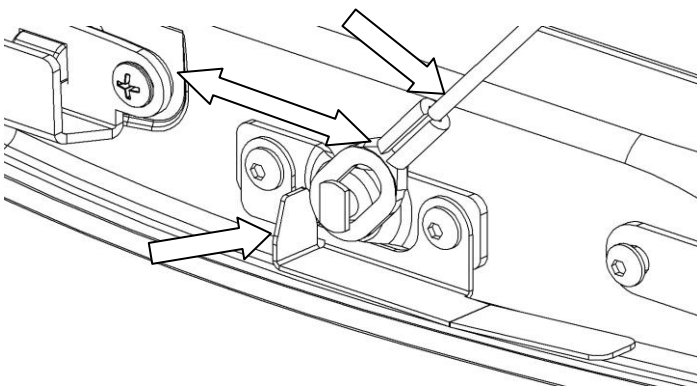
1.2) Assemble the RH upper ball stud (3750238R) bracket as shown making sure to use the round eye end of tailgate strap (6821340) and fit the spacer (5848468) through the eyelet and the 1.2mm thick flat washer (4154328) against the bracket face. Use the M8 flange head bolt provided (6151730), position 4581303 thick M8 washer behind the bracket. Screw the M8 bolt into the strap retaining nut in body panel loosely at this stage. Position the original striker bolt in the upper hole of the bracket and through the striker bracket loosely engage the bolt.



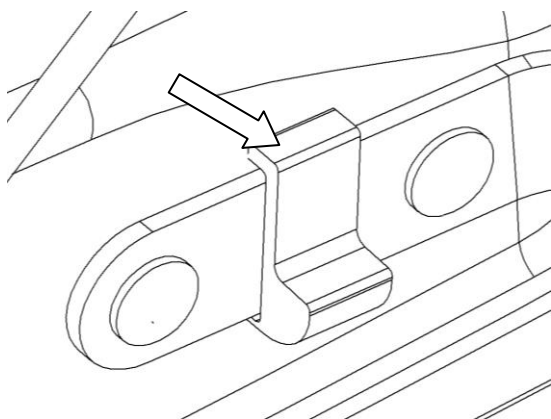
1.3) Ensure both holes are lined up properly and the strap is positioned as shown. When completely satisfied, **tighten both bolts to 22Nm.**



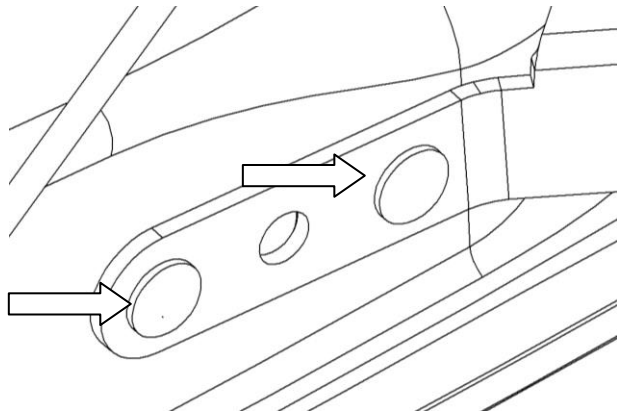
1.4) Remove the bolts from the strap mount on the tailgate and fit the supplied cable guide bracket (3750241R). Fit the supplied M8 button head cap screws (6151874) and leave finger tight.



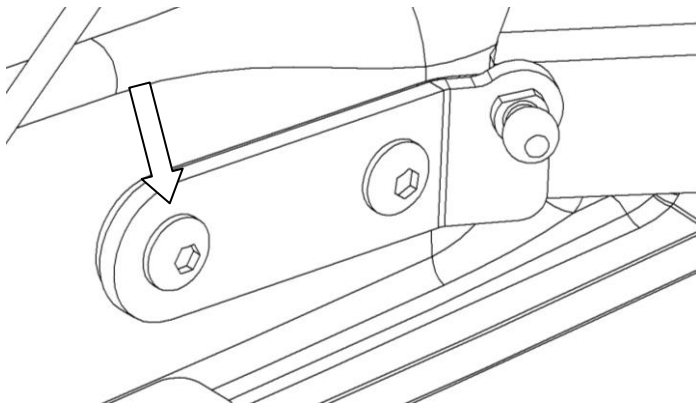
1.5) Slightly lift the tailgate and place the keyed end of strap onto tailgate strap mount. Gently lower the tailgate back down. Adjust the return lip on guide bracket to sit approx. 1mm away from cable end by sliding the strap mount back or forth. When complete **tighten cap screws to 22Nm.** This return lip is to stop any accidental release of cable from the mounting bracket.



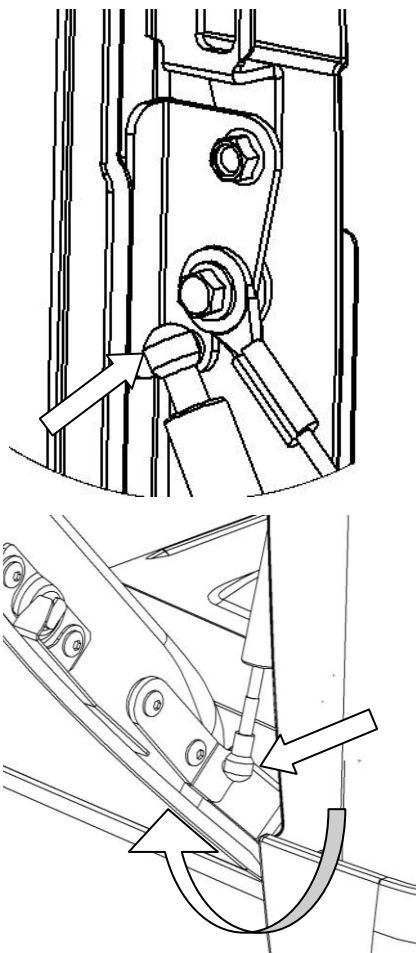
1.6) Remove and discard any of the rubber strap supports from the tailgate and door cavity of tub.



1.7) Remove and discard the two bolts using a T40 Torx bit on the lower hinge as shown.

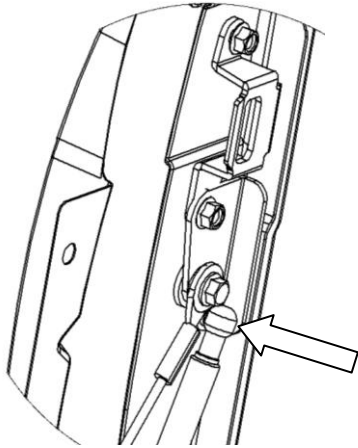


1.8) Fit lower ball stud mount to the outside of the tailgate hinge and secure using the supplied M8 button head cap screws (6151874). **Torque to 22Nm.** Note orientation of the ball stud in this RH image.

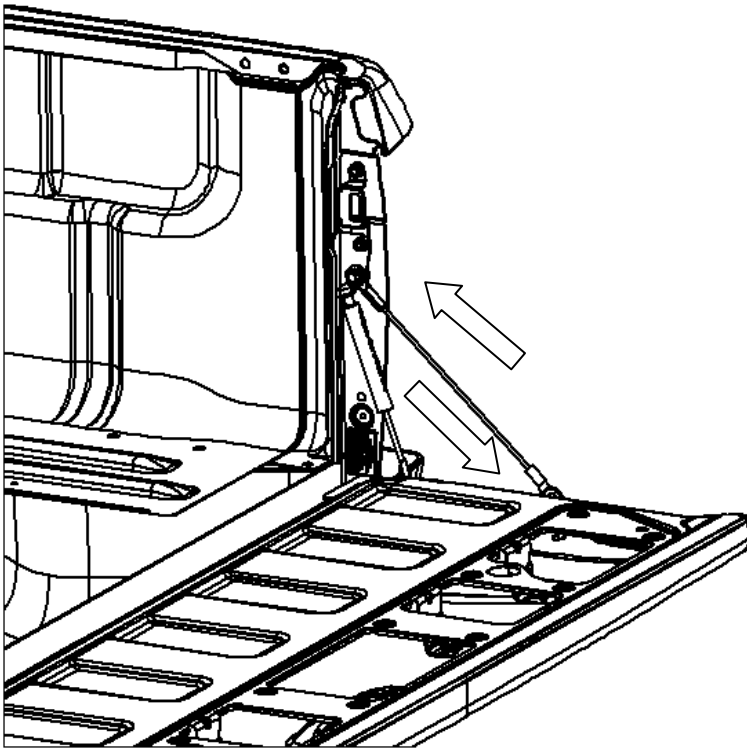


1.9) Place the upper end of the spring assist strut (4590021) (larger diameter body strut) onto the upper ball stud mount. **DO NOT REMOVE EXTENSION SAFETY CLIP YET.** Ensure it has clicked in correctly. To fit the lower mount raise the tailgate until the lower strut end and ball stud mount line up. Click the ball stud into the strut. Gently lower tailgate and then remove strut extension safety clip. **When complete place safety clip in vehicle glove box.**

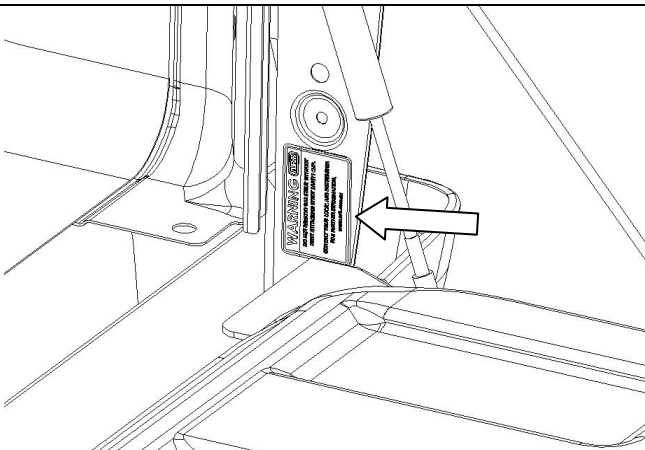
Section 2: FITTING LHS ASSIST



- 2.1) Use the same procedure as mentioned in section 1 for the LH side components except to place the narrower body strut onto the ball studs (4590022 for DMax or 4590025 for Colorado). This strut is a damper and it's piston can be moved in and out by hand to help with alignment. **Ensure fasteners on LH side are torqued to 22Nm.**



- 2.2) When complete open and close the tailgate to ensure correct operation. Make sure there is no binding or cables protruding.



- 2.3) Fit warning label to vehicle tub as shown in the image. It must be fitted to the larger spring assist side and placed just below the lower tail light screw position.